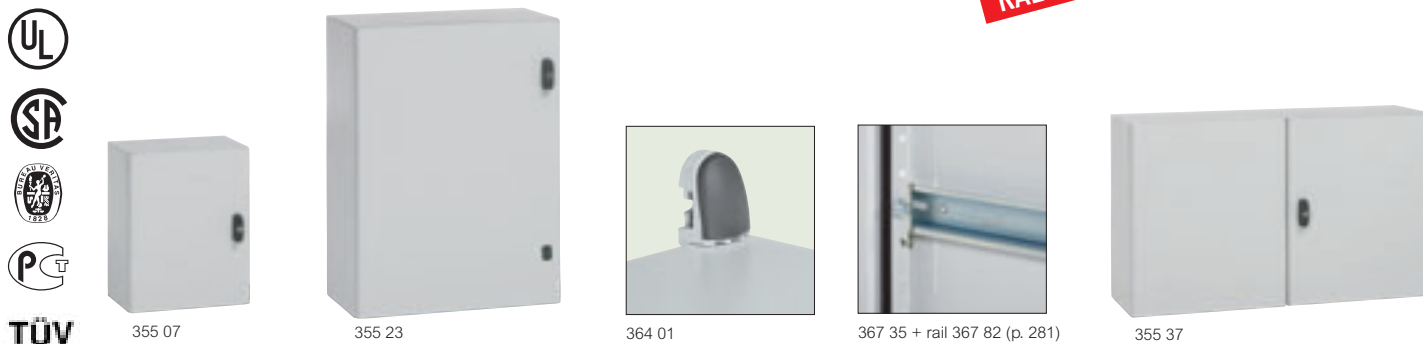


Atlantic metal cabinets

IP 55 - IK 10 - Nema 4x - Nema 12

RAL 7035



Dimensions (p. 271) and material characteristics (p. 258)
Equipment (p. 269 and 280 to 282)

IP 55 according to standards IEC EN 60529
IK 10 according to standards IEC EN 62262
Nema 4x, 1 door, Nema 12, 2 doors - UL, CSA, Bureau Veritas, TÜV, GÖST agreements
Excellent resistance to corrosion and chemical agents
60 µ thick textured polyester coating
Anti-corrosion treatment for hinges and axis
Reversible door - One locking point
Locking with key 2433 A (2 keys supplied)
Up to 300 mm height, fitted with latch for height upper than 300 mm, fitted with lever
Low cable entries RAL 7035

| Pack | Cat.Nos | Metal cabinets | | | Number of doors | Weight (kg) |
|-------------------------|---------|--------------------------|---------|-----------------------|-----------------|-------------|
| Vertical version | | | | | | |
| | | External dimensions (mm) | | | | |
| | | Height x | Width x | Depth | | |
| 1 | 355 09 | 400 x | 300 x | 150 ⁽²⁾ | 1 | 6.3 |
| 1 | 355 00 | 300 x | 200 x | 160 ⁽¹⁾⁽²⁾ | 1 | 4.2 |
| 1 | 355 02 | 400 x | 300 x | 200 | 1 | 6.5 |
| 1 | 355 03 | 500 x | 400 x | 200 | 1 | 9.7 |
| 1 | 355 04 | 600 x | 400 x | 200 | 1 | 10.7 |
| 1 | 355 07 | 500 x | 400 x | 250 | 1 | 10.7 |
| 1 | 355 08 | 600 x | 400 x | 250 | 1 | 12 |
| 1 | 355 12 | 700 x | 500 x | 250 | 1 | 16.5 |
| 1 | 355 14 | 800 x | 600 x | 250 | 1 | 18.8 |
| 1 | 355 17 | 1000 x | 600 x | 250 | 1 | 24 |
| 1 | 355 18 | 1000 x | 800 x | 250 | 1 | 36.4 |
| 1 | 355 22 | 700 x | 500 x | 300 | 1 | 23 |
| 1 | 355 23 | 800 x | 600 x | 300 | 1 | 28.8 |
| 1 | 355 26 | 1000 x | 600 x | 300 | 1 | 33.3 |
| 1 | 355 27 | 1000 x | 800 x | 300 | 1 | 42 |
| 1 | 355 92 | 1200 x | 800 x | 300 | 1 | 49.6 |
| 1 | 355 93 | 1200 x | 1000 x | 300 | 2 | 62.2 |
| 1 | 355 95 | 1400 x | 1000 x | 300 | 2 | 71 |
| 1 | 355 28 | 800 x | 600 x | 400 | 1 | 31 |
| 1 | 355 29 | 1000 x | 800 x | 400 | 1 | 45 |
| 1 | 355 96 | 1200 x | 800 x | 400 | 1 | 57 |
| 1 | 355 98 | 1400 x | 800 x | 400 | 1 | 64 |
| Square version | | | | | | |
| | | External dimensions (mm) | | | | |
| | | Height x | Width x | Depth | | |
| 1 | 355 05 | 300 x | 300 x | 150 ⁽²⁾ | 1 | 4.1 |
| 1 | 355 30 | 300 x | 300 x | 200 | 1 | 4.2 |
| 1 | 355 31 | 400 x | 400 x | 200 | 1 | 7.7 |
| 1 | 355 32 | 500 x | 500 x | 250 | 1 | 11.5 |
| 1 | 355 10 | 600 x | 600 x | 250 | 1 | 16.3 |
| 1 | 355 15 | 800 x | 800 x | 250 | 1 | 21.6 |
| 1 | 355 20 | 600 x | 600 x | 300 | 1 | 21.1 |
| 1 | 355 24 | 800 x | 800 x | 300 | 1 | 34.2 |
| 1 | 355 91 | 1000 x | 1000 x | 300 | 2 | 53 |
| 1 | 355 94 | 1200 x | 1200 x | 300 | 2 | 70 |
| 1 | 355 36 | 600 x | 600 x | 400 | 1 | 28 |
| 1 | 355 97 | 1200 x | 1200 x | 400 | 2 | 77 |

| Pack | Cat.Nos | Metal cabinets (continued) | | | Number of doors | Weight (kg) |
|---------------------------|---------|----------------------------|---------|--------------------|-----------------|-------------|
| Horizontal version | | | | | | |
| | | External dimensions (mm) | | | | |
| | | Height x | Width x | Depth | | |
| 1 | 355 01 | 300 x | 400 x | 200 | 1 | 6.5 |
| 1 | 355 06 | 400 x | 600 x | 250 | 1 | 11.7 |
| 1 | 355 33 | 800 x | 1000 x | 250 ⁽²⁾ | 1 | 27 |
| 1 | 355 21 | 600 x | 800 x | 300 | 1 | 28.8 |
| 1 | 355 37 | 600 x | 1000 x | 300 | 1 | 32 |
| 1 | 355 34 | 800 x | 1000 x | 300 | 1 | 33.3 |
| 1 | 355 90 | 1000 x | 1200 x | 300 | 1 | 62.2 |

| Pack | Cat.Nos | Accessories | | |
|---|---------|---|--|--|
| Set of 4 slides for depth adjustment | | | | |
| 1 | 367 45 | For 400 mm depth cabinets | | |
| Wall-mounting lugs | | | | |
| 1 | 364 01 | For load up to 300 kg Horizontal or vertical installation With a roof, horizontal installation only Zamak RAL 7035 Supplied with cover finish Set of 4 | | |
| 1 | 364 04 | For load up to 100 kg Horizontal or vertical installation Anti-corrosion steel treatment | | |
| 5 | 367 35 | Attachment lugs for rail Supplied with M6 screws Set of 2 Used to attach the 15 mm depth symmetric rail on door profile strand-holder | | |

(1) Supplied with plain plate
(2) Without cable entries



Plinths: consult us

Atlantic metal cabinets equipment



355 93 + Cabstop plate 364 96
+ mounting kit 364 98

347 95

Touch-up brush 365 91

329 46

329 47

Technical characteristics (p. 272)

| Pack | Cat.Nos | Cabstop open-work plate IP 55 | | | | | | | | | | | | | | | | | | | | |
|----------------------------|-----------------------------|---|---|-----------------------------|-------------------------|---|----|---|---|-----|----|---|---|-----|----|---|---|----------|----|---|---|--------------|
| | | <p>Cable entries consisting of a cable clamp providing the mechanical grip, and elastomer areas for weatherproofing Can be pierced using the cable (no tool required) Fits the cable perfectly Replacement of a cable possible Fire retardant polypropylene RAL 7035 2 possibilities of mounting: - direct on cable entry of Atlantic cabinets - on flat surface with kit Cat.No 364 98 Supplied with: - locking caps for sealing a pierced entry providing IP 55 protection - cable release tool</p> | | | | | | | | | | | | | | | | | | | | |
| | | <table border="1"> <thead> <tr> <th>Number of entries Ø5 to 14</th> <th>Number of entries Ø14 to 24</th> <th>Number of spare entries</th> <th>Direct mounting on cable entry of Atlantic cabinet width (mm)</th> </tr> </thead> <tbody> <tr> <td>13</td> <td>1</td> <td>-</td> <td>300</td> </tr> <tr> <td>13</td> <td>1</td> <td>1</td> <td>400</td> </tr> <tr> <td>28</td> <td>2</td> <td>1</td> <td>500-1000</td> </tr> <tr> <td>28</td> <td>2</td> <td>2</td> <td>600-800-1200</td> </tr> </tbody> </table> | Number of entries Ø5 to 14 | Number of entries Ø14 to 24 | Number of spare entries | Direct mounting on cable entry of Atlantic cabinet width (mm) | 13 | 1 | - | 300 | 13 | 1 | 1 | 400 | 28 | 2 | 1 | 500-1000 | 28 | 2 | 2 | 600-800-1200 |
| Number of entries Ø5 to 14 | Number of entries Ø14 to 24 | Number of spare entries | Direct mounting on cable entry of Atlantic cabinet width (mm) | | | | | | | | | | | | | | | | | | | |
| 13 | 1 | - | 300 | | | | | | | | | | | | | | | | | | | |
| 13 | 1 | 1 | 400 | | | | | | | | | | | | | | | | | | | |
| 28 | 2 | 1 | 500-1000 | | | | | | | | | | | | | | | | | | | |
| 28 | 2 | 2 | 600-800-1200 | | | | | | | | | | | | | | | | | | | |
| 1 | 364 94 | | | | | | | | | | | | | | | | | | | | | |
| 1 | 364 95 | | | | | | | | | | | | | | | | | | | | | |
| 1 | 364 96 | | | | | | | | | | | | | | | | | | | | | |
| 1 | 364 97 | | | | | | | | | | | | | | | | | | | | | |
| 1 | 364 98 | Kit for mounting Cabstop plate on flat surface Enables mounting of 2 Cabstop plates: Cat.Nos 364 94 or 95 and 364 96 or 97 IP 55 maintained | | | | | | | | | | | | | | | | | | | | |

| Pack | Cat.Nos | Protective conductor | | | | | | | | | | | | | | | | | | |
|-----------------------------|---------------------|---|-----------------------------|---------------------|-----------------|---|-----|-----|----|-----|-----|----|-----|-----|-----------------------------|---------------------|-----------------|---|-----|-----|
| | | <p>Earth braid</p> <table border="1"> <thead> <tr> <th>Capacity (mm²)</th> <th>Fixing spacing (mm)</th> <th>Ø of holes (mm)</th> </tr> </thead> <tbody> <tr> <td>6</td> <td>200</td> <td>8.5</td> </tr> <tr> <td>16</td> <td>200</td> <td>8.5</td> </tr> <tr> <td>30</td> <td>200</td> <td>8.5</td> </tr> </tbody> </table> <p>Green/yellow wire</p> <table border="1"> <thead> <tr> <th>Capacity (mm²)</th> <th>Fixing spacing (mm)</th> <th>Ø of holes (mm)</th> </tr> </thead> <tbody> <tr> <td>6</td> <td>200</td> <td>6.5</td> </tr> </tbody> </table> | Capacity (mm ²) | Fixing spacing (mm) | Ø of holes (mm) | 6 | 200 | 8.5 | 16 | 200 | 8.5 | 30 | 200 | 8.5 | Capacity (mm ²) | Fixing spacing (mm) | Ø of holes (mm) | 6 | 200 | 6.5 |
| Capacity (mm ²) | Fixing spacing (mm) | Ø of holes (mm) | | | | | | | | | | | | | | | | | | |
| 6 | 200 | 8.5 | | | | | | | | | | | | | | | | | | |
| 16 | 200 | 8.5 | | | | | | | | | | | | | | | | | | |
| 30 | 200 | 8.5 | | | | | | | | | | | | | | | | | | |
| Capacity (mm ²) | Fixing spacing (mm) | Ø of holes (mm) | | | | | | | | | | | | | | | | | | |
| 6 | 200 | 6.5 | | | | | | | | | | | | | | | | | | |
| 20 | 347 95 | | | | | | | | | | | | | | | | | | | |
| 20 | 347 96 | | | | | | | | | | | | | | | | | | | |
| 10 | 347 97 | | | | | | | | | | | | | | | | | | | |
| 20 | 363 95 | | | | | | | | | | | | | | | | | | | |
| | | <p>NEW</p> <p>Paint touch-up</p> <p>Aerosol paint spray RAL 7035</p> <p>Touch-up brush For protecting the sheet metal after cutting Anti-corrosion paint</p> | | | | | | | | | | | | | | | | | | |
| 1 | 365 97 | | | | | | | | | | | | | | | | | | | |
| 1 | 365 91 | Other colours on request | | | | | | | | | | | | | | | | | | |
| | | <p>Temporary marking</p> <p>Water-soluble marker pen</p> | | | | | | | | | | | | | | | | | | |
| 10 | 395 99 | | | | | | | | | | | | | | | | | | | |

| Pack | Cat.Nos | Cable entries for Atlantic cabinets 600 or 800 mm width |
|------|---------|--|
| | | <p>NEW</p> <p>IP 43 cable entry plate with brush IP 55 multi-entry cable entry plate with cable glands Supplied with 12 ISO 32 cable glands Cat.No 980 50 The cable glands take 4 UTP/FTP/SFTP cables (Ø6.5 to 9.5 mm) per cable gland Cords with connectors can be fed through without having to dismantle the cable gland Supplied with blanking plates for unused entries</p> |
| 1 | 329 46 | |
| 1 | 329 47 | |

Atlantic metal cabinets

IP 55 - IK 10 - adjusted characteristics

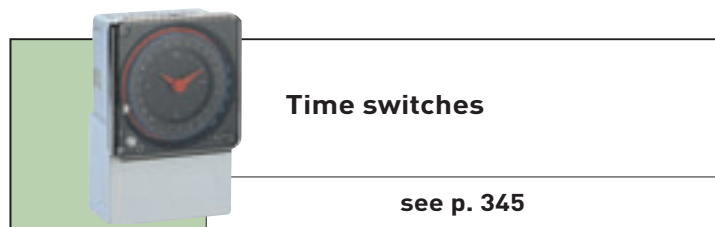


Material characteristics (p. 258)

IP 55 - IK 10 according to IEC EN 60529
 Opening one way
 With galvanized plain mounting plate
 Supplied with one double bar lock up to 500 x 500 x 250 mm and 2 double bar lock from 600 x 400 x 150 mm
 Without cable entries plate
 Plain plates on top and bottom
 Easy mounting of the plate mounting plain beige RAL 7035
 60 µ thick textured polyester coating

| Pack | Cat.Nos | Metal cabinets | Dimensions (mm) Height x Width x Depth | Weight (kg) | Number of closing point |
|------|---------|----------------|---|-------------|-------------------------|
| 1 | 386 00 | | 300 x 200 x 160 | 4.5 | 1 |
| 1 | 386 04 | | 400 x 300 x 150 | 9.2 | 1 |
| 1 | 386 05 | | 400 x 300 x 200 | 10.3 | 1 |
| 1 | 386 06 | | 400 x 400 x 200 | 16.5 | 1 |
| 1 | 386 09 | | 500 x 400 x 200 | 16.4 | 1 |
| 1 | 386 12 | | 600 x 400 x 150 | 17.2 | 1 |
| 1 | 386 13 | | 600 x 400 x 200 | 18.2 | 2 |
| 1 | 386 14 | | 600 x 400 x 250 | 19.1 | 2 |
| 1 | 386 15 | | 600 x 500 x 150 | 18 | 2 |
| 1 | 386 16 | | 600 x 500 x 200 | 19 | 2 |
| 1 | 386 21 | | 700 x 500 x 250 | 25 | 2 |
| 1 | 386 22 | | 800 x 600 x 200 | 27 | 2 |
| 1 | 386 23 | | 800 x 600 x 250 | 33 | 2 |
| 1 | 386 24 | | 800 x 600 x 300 | 37.6 | 2 |
| 1 | 386 28 | | 1000 x 800 x 250 | 58.9 | 2 |
| 1 | 386 29 | | 1000 x 800 x 300 | 60.7 | 2 |
| 1 | 386 30 | | 1200 x 800 x 300 | 77 | 2 |

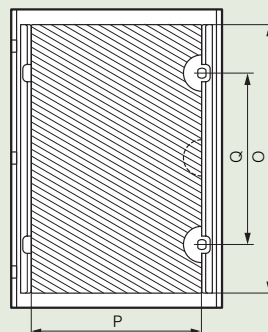
| | | Wall-mounting lugs |
|---|--------|---|
| 1 | 364 01 | For load up to 300 kg Horizontal or vertical installation With a roof, horizontal installation only Zamak RAL 7035 Supplied with cover finish Set of 4 |
| 1 | 364 04 | For load up to 100 kg Horizontal or vertical installation Anti-corrosion steel treatment |



Atlantic metal cabinets

IP 55 - IK 10 - adjusted characteristics

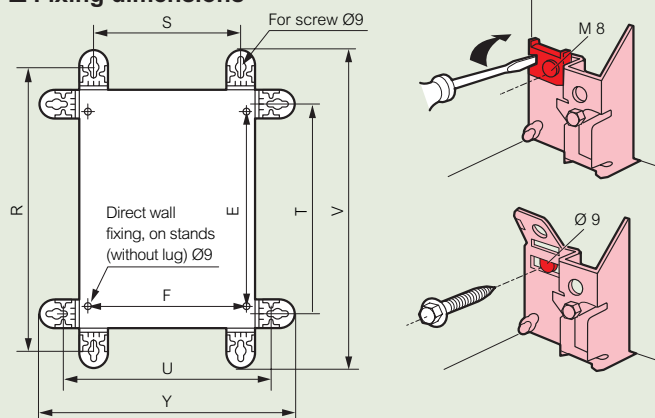
Doors: dimensions, usable area



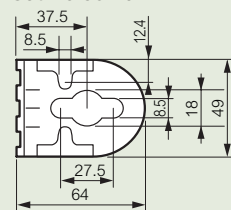
| Enclosures H x W (mm) | Door usable space | | | Locking position Q (mm) |
|-----------------------------|-------------------|-----------------|----------------------------|-------------------------------|
| | Height O (mm) | Width P (mm) | Area (dm ²) | |
| 300 x 200 | 251 | 148 | 3.4 | (1) |
| 300 x 300 | 251 | 248 | 5.9 | (1) |
| 400 x 300 | 351 | 248 | 6.4 | (1) |
| 400 x 400 | 351 | 348 | 11.4 | (1) |
| 500 x 400 | 425 | 300 | 12.4 | (1) |
| 500 x 500 | 425 | 400 | 16.7 | (1) |
| 600 x 400 | 525 | 300 | 19.1 | 350 ⁽²⁾ |
| 600 x 500 | 525 | 400 | 21.1 | 400 ⁽²⁾ |
| 600 x 600 | 525 | 500 | 25.6 | 350 ⁽²⁾ |
| 700 x 500 | 625 | 400 | 24.5 | 400 ⁽²⁾ |
| 800 x 600 | 725 | 500 | 35.8 | 500 ⁽²⁾ |
| 1200 x 800 | 1125 | 700 | 78.4 | (1) |

(1) Central lock
 (2) Top and bottom lock

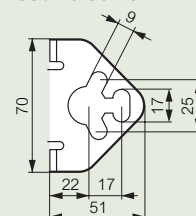
Fixing dimensions



Cat.No 364 01



Cat.No 364 04

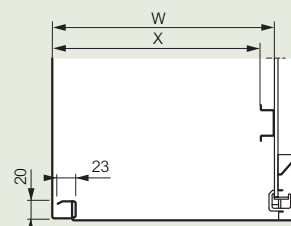


| Cabinets | | Vertical lugs | | Mounting centres | | Horizontal lugs | | Mounting centres | | Overall 364 01 | | Overall 364 04 | |
|----------|--------|---------------|-----------------------|------------------|-----------------------|-----------------|--------|------------------|--------|----------------|--------|----------------|--------|
| H (mm) | W (mm) | R (mm) | S ⁽¹⁾ (mm) | E (mm) | T ⁽¹⁾ (mm) | U (mm) | F (mm) | V (mm) | Y (mm) | V (mm) | Y (mm) | V (mm) | Y (mm) |
| 300 | 200 | 375 | 150 | 225 | 250 | 275 | 169 | 430 | 330 | 402 | 302 | | |
| 400 | 300 | 475 | 250 | 325 | 350 | 375 | 269 | 530 | 430 | 502 | 402 | | |
| 400 | 400 | 475 | 350 | 325 | 350 | 475 | 369 | 530 | 530 | 502 | 502 | | |
| 500 | 400 | 575 | 350 | 425 | 450 | 475 | 369 | 630 | 530 | 602 | 502 | | |
| 500 | 500 | 575 | 450 | 425 | 450 | 575 | 469 | 630 | 630 | 602 | 602 | | |
| 600 | 400 | 675 | 350 | 525 | 550 | 475 | 369 | 730 | 530 | 702 | 502 | | |
| 600 | 500 | 675 | 450 | 525 | 550 | 575 | 569 | 730 | 630 | 702 | 602 | | |
| 700 | 500 | 775 | 450 | 625 | 650 | 575 | 469 | 830 | 630 | 802 | 602 | | |
| 800 | 600 | 875 | 550 | 725 | 750 | 675 | 569 | 930 | 730 | 902 | 702 | | |
| 1000 | 800 | 1075 | 750 | 925 | 950 | 875 | 769 | 1130 | 930 | 1102 | 902 | | |
| 1200 | 800 | 1275 | 750 | 1125 | 1150 | 875 | 769 | 1330 | 930 | 1302 | 902 | | |

(1) Same fixing centres for Cat.Nos 364 01 and 364 04

Usable depth

| Enclosures depth (mm) | Back of enclosures | |
|-----------------------------|--------------------|--------|
| | W (mm) | X (mm) |
| 150 | 130 | 115 |
| 160 | 140 | 125 |
| 200 | 180 | 165 |
| 250 | 230 | 215 |
| 300 | 280 | 265 |



Atlantic metal cabinets

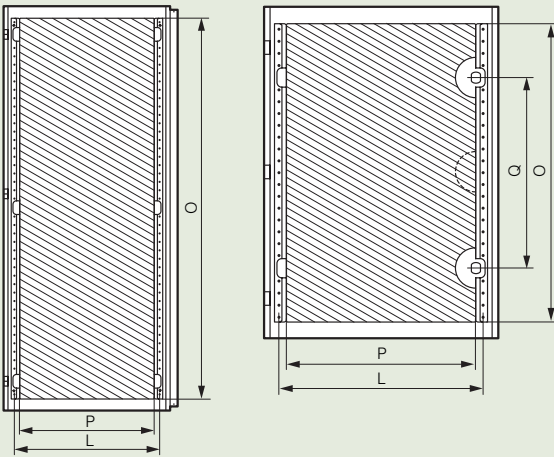
IP 55 - IK 10

Usable dimensions

Doors

2 doors

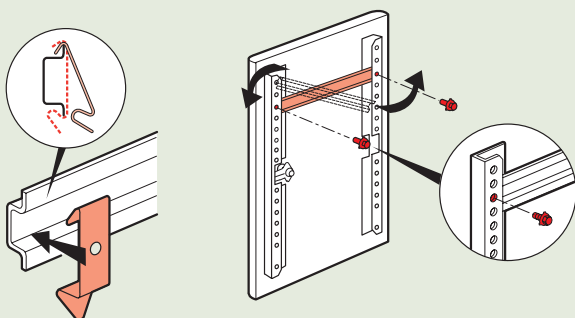
1 door



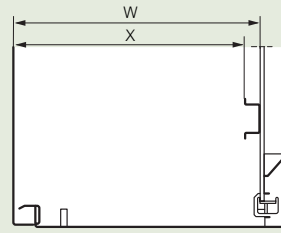
| Cat.Nos | Cabinets | | Door usable dimensions | | Lock positions | Strand-holder fixing centres |
|------------------|-------------|------------|------------------------|--------------|--------------------|------------------------------|
| | Height (mm) | Width (mm) | Height O (mm) | Width P (mm) | | |
| 355 00 | 300 | 200 | 251 | 148 | (1) | (3) |
| 355 05/30 | 300 | 300 | 251 | 248 | (1) | (3) |
| 355 01 | 300 | 400 | 251 | 348 | (1) | (3) |
| 355 02/09 | 400 | 300 | 351 | 248 | (1) | (3) |
| 355 31 | 400 | 400 | 351 | 348 | (1) | (3) |
| 355 06 | 400 | 600 | 325 | 500 | (1) | 530 |
| 355 03 / 07 | 500 | 400 | 425 | 300 | (1) | 330 |
| 355 32 | 500 | 500 | 425 | 400 | (1) | 430 |
| 355 04 / 08 | 600 | 400 | 525 | 300 | 350 ⁽²⁾ | 330 |
| 355 10 / 20 / 36 | 600 | 600 | 525 | 500 | 350 ⁽²⁾ | 530 |
| 355 21 | 600 | 800 | 525 | 300 x 2 | (1) | 330 |
| 355 37 | 600 | 1000 | 525 | 400 x 2 | (1) | 430 |
| 355 12 / 22 | 700 | 500 | 625 | 400 | 400 ⁽²⁾ | 430 |
| 355 14 / 23 / 28 | 800 | 600 | 725 | 500 | 500 ⁽²⁾ | 530 |
| 355 15 / 24 | 800 | 800 | 725 | 700 | 500 ⁽²⁾ | 730 |
| 355 33 / 34 | 800 | 1000 | 725 | 400 x 2 | (1) | 430 |
| 355 17 / 26 | 1000 | 600 | 925 | 500 | (1) | 530 |
| 355 18 / 27 / 29 | 1000 | 800 | 925 | 700 | (1) | 730 |
| 355 91 | 1000 | 1000 | 925 | 400 x 2 | (1) | 430 |
| 355 90 | 1000 | 1200 | 925 | 500 x 2 | (1) | 530 |
| 355 92 / 96 | 1200 | 800 | 1125 | 700 | (1) | 730 |
| 355 93 | 1200 | 1000 | 1125 | 400 x 2 | (1) | 430 |
| 355 94 / 97 | 1200 | 1200 | 1125 | 500 x 2 | (1) | 530 |
| 355 98 | 1400 | 800 | 1325 | 700 | (1) | 730 |
| 355 95 | 1400 | 1000 | 1325 | 400 x 2 | (1) | 430 |

- (1) Central lock
- (2) Top and bottom lock
- (3) Without strand-holder

Fixing on door of a symmetrical rail depth 15 mm with Cat.No 367 35



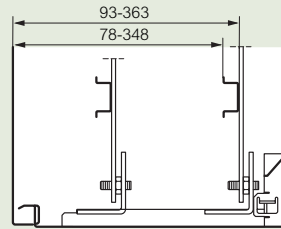
Usable depth



| Cabinet Depth (mm) | Back of cabinet | |
|--------------------|-----------------|--------|
| | W (mm) | X (mm) |
| 150 | 130 | 115 |
| 160 | 140 | 125 |
| 200 | 180 | 165 |
| 250 | 230 | 215 |
| 300 | 280 | 265 |
| 400 | 380 | 365 |

Adjustment of equipment (optional) with slides

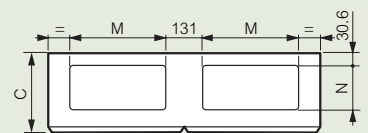
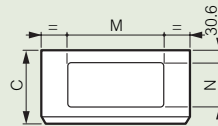
Cat.No 367 45
For 400 mm depth cabinets



Cable entries

Cabinets width ≤ 800 mm

Cabinets width ≥ 1 000 mm



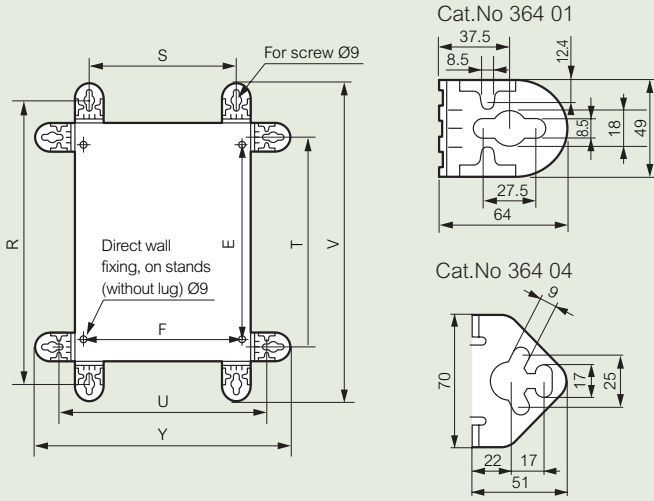
| Cabinets (mm) | | | Dimensions of cable entries (mm) | |
|---------------|-----|-----------------|----------------------------------|-----|
| W | D | Overall depth C | M | N |
| 200 | 160 | 170 | - | - |
| 300 | 150 | 160 | - | - |
| 300 | 200 | 210 | 169 | 115 |
| 400 | 200 | 210 | 269 | 115 |
| 400 | 250 | 260 | 269 | 115 |
| 500 | 250 | 260 | 369 | 150 |
| 500 | 300 | 310 | 369 | 150 |
| 600 | 250 | 260 | 469 | 150 |
| 600 | 300 | 310 | 469 | 150 |
| 600 | 400 | 410 | 469 | 150 |
| 800 | 250 | 260 | 469 | 150 |
| 800 | 300 | 310 | 469 | 150 |
| 800 | 400 | 410 | 469 | 150 |
| 1 000 | 250 | 260 | 369 | 150 |
| 1 000 | 300 | 310 | 369 | 150 |
| 1 200 | 300 | 310 | 469 | 150 |
| 1 200 | 400 | 410 | 469 | 150 |

Atlantic metal cabinets

IP 55 - IK 10 (continued)

Usable dimensions (continued)

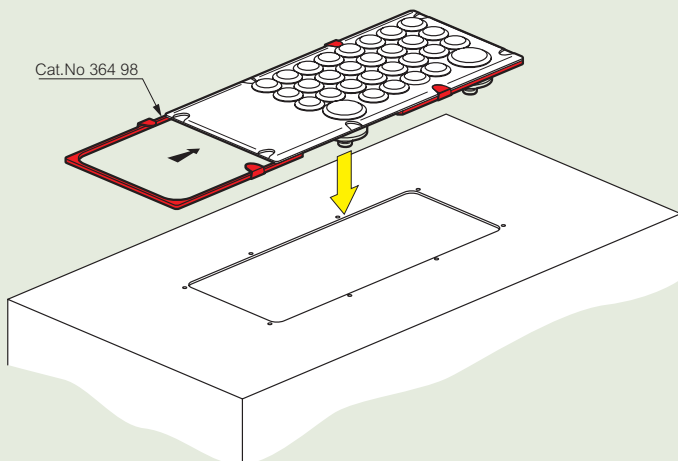
Fixing



| Cabinets | Vertical lugs | Mounting centres | Horizontal lugs | Mounting centres | Overall 364 01 | Overall 364 04 | | | | | |
|----------|---------------|------------------|-----------------------|------------------|-----------------------|----------------|--------|--------|--------|--------|--------|
| H (mm) | W (mm) | R (mm) | S ⁽¹⁾ (mm) | E (mm) | T ⁽¹⁾ (mm) | U (mm) | F (mm) | V (mm) | Y (mm) | V (mm) | Y (mm) |
| 300 | 200 | 375 | 150 | 225 | 250 | 275 | 169 | 430 | 330 | 402 | 302 |
| 300 | 300 | 375 | 250 | 225 | 250 | 375 | 269 | 430 | 430 | 402 | 402 |
| 300 | 400 | 375 | 350 | 225 | 250 | 475 | 369 | 430 | 530 | 402 | 502 |
| 400 | 300 | 475 | 250 | 325 | 350 | 375 | 269 | 530 | 430 | 502 | 402 |
| 400 | 400 | 475 | 350 | 325 | 350 | 475 | 369 | 530 | 530 | 502 | 502 |
| 400 | 600 | 475 | 550 | 325 | 350 | 675 | 569 | 530 | 730 | 502 | 702 |
| 500 | 400 | 575 | 350 | 425 | 450 | 475 | 369 | 630 | 530 | 602 | 502 |
| 500 | 500 | 575 | 450 | 425 | 450 | 575 | 469 | 630 | 630 | 602 | 602 |
| 600 | 400 | 675 | 350 | 525 | 550 | 475 | 369 | 730 | 530 | 702 | 502 |
| 600 | 600 | 675 | 550 | 525 | 550 | 675 | 569 | 730 | 730 | 702 | 702 |
| 600 | 800 | 675 | 750 | 525 | 550 | 875 | 769 | 730 | 930 | 702 | 902 |
| 600 | 1000 | 675 | 950 | 525 | 550 | 1075 | 969 | 730 | 1130 | 702 | 1102 |
| 700 | 500 | 775 | 450 | 625 | 650 | 575 | 469 | 830 | 630 | 802 | 602 |
| 800 | 600 | 875 | 550 | 725 | 750 | 675 | 569 | 930 | 730 | 902 | 702 |
| 800 | 800 | 875 | 750 | 725 | 750 | 875 | 769 | 930 | 930 | 902 | 902 |
| 800 | 1000 | 875 | 950 | 725 | 750 | 1075 | 969 | 930 | 1130 | 902 | 1102 |
| 1000 | 600 | 1075 | 550 | 925 | 950 | 675 | 569 | 1130 | 730 | 1102 | 702 |
| 1000 | 800 | 1075 | 750 | 925 | 950 | 875 | 769 | 1130 | 930 | 1102 | 902 |
| 1000 | 1000 | 1075 | 950 | 925 | 950 | 1075 | 969 | 1130 | 1130 | 1102 | 1102 |
| 1000 | 1200 | 1075 | 1150 | 925 | 950 | 1275 | 1169 | 1130 | 1330 | 1102 | 1302 |
| 1200 | 800 | 1275 | 750 | 1125 | 1150 | 875 | 769 | 1330 | 930 | 1302 | 902 |
| 1200 | 1000 | 1275 | 950 | 1125 | 1150 | 1075 | 969 | 1330 | 1130 | 1302 | 1102 |
| 1200 | 1200 | 1275 | 1150 | 1125 | 1150 | 1275 | 1169 | 1330 | 1330 | 1302 | 1302 |
| 1400 | 800 | 1475 | 750 | 1325 | 1350 | 875 | 769 | 1530 | 930 | 1502 | 902 |
| 1400 | 1000 | 1475 | 950 | 1325 | 1350 | 1075 | 969 | 1530 | 1130 | 1502 | 1102 |

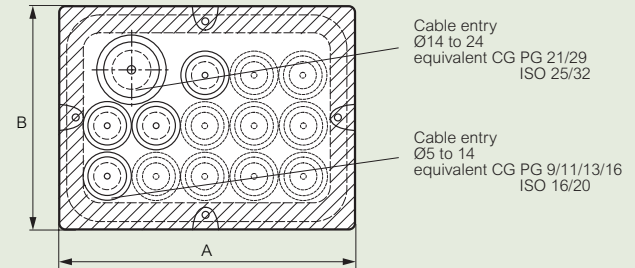
(1) Same mounting centres for Cat.Nos 364 01 and 364 04

Assembly kit on plane surface for Cabstop plate



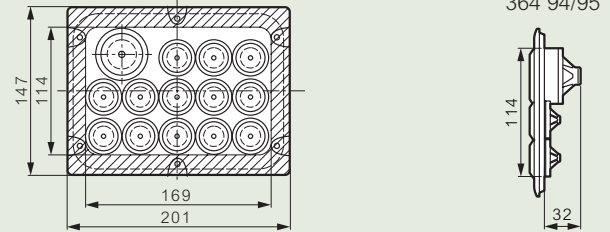
Cabstop plate

- Tensile resistance: 15 kg minimum
- Operating temperature: - 20 °C to + 65 °C
- ASTM No 3 resistance to cutting oil
- Resistance to incandescent wire: 750 °C according to IEC EN 60695-2-11

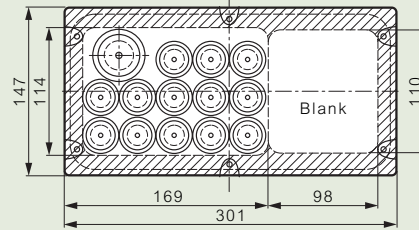


Dimensions

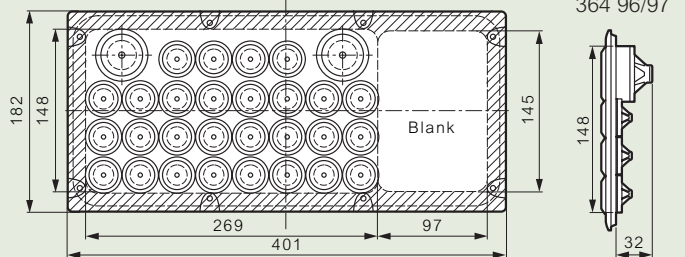
Cat.No 364 94



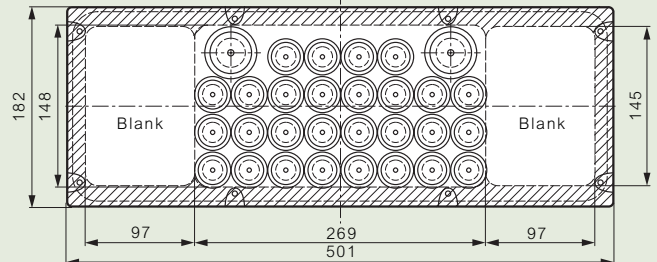
Cat.No 364 95



Cat.No 364 96



Cat.No 364 97



Atlantic stainless steel cabinets

IP 66 - IK 10 - Nema 4x



352 01

352 11

Material characteristics (p. 258)

IP 66 according to standard IEC 60529. LCIE No 380 584 AB
IK 10 according to IEC EN 62262

Nema 4x

Stainless steel 304L

Agreements: UL, CSA, Veritas, LRS, GÖST

For use in areas requiring high level of hygiene, such as:
• food manufacturing plants, industrial kitchens, distilleries
• dairies

Corrosive conditions such as:

- chemical industries, pharmaceutical industries
- petroleum industries

Brushed stainless steel finish

Curved door, with double bar locks

Protective flange

Reversible cabinet

| Pack | Cat.Nos | Stainless steel cabinets | | | Weight (kg) | Gross volume (dm ³) |
|------|-----------------------|--|-----|-----|-------------|---------------------------------|
| | | External dimensions (mm) Height x Width x Depth | | | | |
| 1 | 352 00 ⁽¹⁾ | 300 | 200 | 160 | 4 | 20 |
| 1 | 352 01 | 400 | 300 | 200 | 5.8 | 42 |
| 1 | 352 02 | 500 | 400 | 200 | 8.3 | 66 |
| 1 | 352 05 | 600 | 400 | 250 | 12 | 92 |
| 1 | 352 06 | 700 | 500 | 250 | 15 | 131 |
| 1 | 352 11 | 800 | 600 | 300 | 22 | 201 |
| 1 | 352 13 | 1000 | 800 | 300 | 38 | 323 |
| 1 | 352 14 | 1200 | 800 | 300 | 45 | 387 |
| 1 | 352 15 | 1400 | 800 | 400 | 60 | 452 |

Wall-mounting lugs

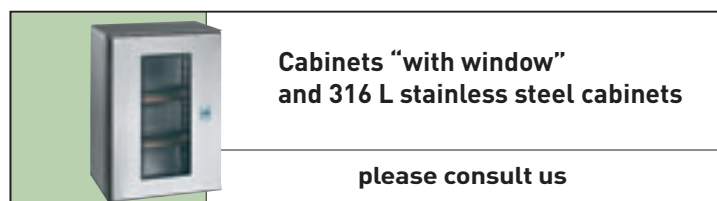
1 364 06 For load up to 300 kg
Horizontal or vertical installation
Supplied with stainless steel screws
Set of 4

316 L stainless steel cabinets

Available on special request
AFNOR Z3 CND 17.12.02

For use in very harsh environments:

- industrial: acid or acid fumes continuously present, halides present
- offshore, naval: chlorides present



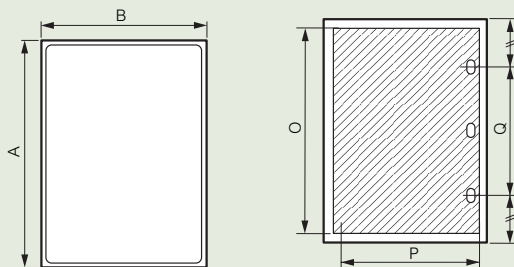
(1) Supplied with plain plate

Atlantic stainless steel cabinets

IP 66 - IK 10 - Nema 4x

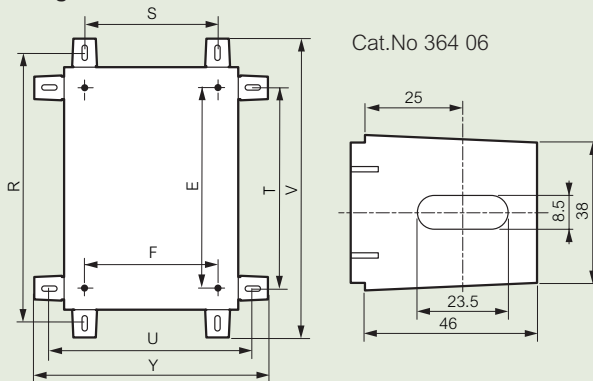
Usable dimensions

Doors



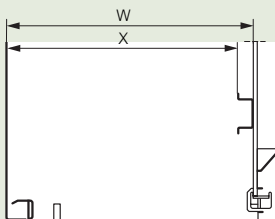
| Cat.Nos | Cabinets dimensions | | | Door usable dimensions | | Lock positions Q (mm) |
|---------|---------------------|--------------|------------|------------------------|--------|-----------------------|
| | Height A (mm) | Width B (mm) | Depth (mm) | O (mm) | P (mm) | |
| 352 00 | 301.6 | 199.6 | 161.5 | 250 | 150 | |
| 352 01 | 401.6 | 299.6 | 201.5 | 350 | 250 | |
| 352 02 | 501.6 | 399.6 | 201.5 | 450 | 350 | 250 |
| 352 05 | 601.6 | 399.6 | 251.5 | 550 | 350 | 380 |
| 352 06 | 702.4 | 500 | 251.5 | 650 | 450 | 400 |
| 352 11 | 802.4 | 600 | 301.5 | 750 | 550 | 400 |
| 352 13 | 1003.6 | 800.6 | 301.5 | 950 | 750 | 600 |
| 352 14 | 1203.6 | 800.6 | 301.5 | 1150 | 750 | 700 |
| 352 15 | 1400.6 | 800.6 | 401.5 | 1350 | 750 | 700 |

Fixing



| Cat.Nos | Vertical lugs | | Horizontal lugs | | V | Y | E | F |
|---------|---------------|-----|-----------------|-----|------|-----|------|-----|
| | R | S | T | U | | | | |
| 352 00 | 350 | 150 | 250 | 250 | 392 | 292 | 225 | 169 |
| 352 01 | 450 | 250 | 350 | 350 | 492 | 392 | 325 | 269 |
| 352 02 | 550 | 350 | 450 | 450 | 592 | 492 | 425 | 369 |
| 352 05 | 650 | 350 | 550 | 450 | 692 | 492 | 525 | 369 |
| 352 06 | 750 | 450 | 650 | 550 | 792 | 592 | 625 | 469 |
| 352 11 | 850 | 550 | 750 | 650 | 892 | 692 | 725 | 569 |
| 352 13 | 1050 | 750 | 950 | 850 | 1092 | 892 | 925 | 769 |
| 352 14 | 1250 | 750 | 1150 | 850 | 1292 | 892 | 1125 | 769 |
| 352 15 | 1450 | 750 | 1350 | 850 | 1492 | 892 | 1325 | 769 |

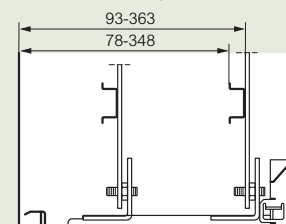
Usable depth



| Enclosure depth (mm) | Back of enclosure | |
|----------------------|-------------------|--------|
| | W (mm) | X (mm) |
| 160 | 140 | 125 |
| 200 | 180 | 165 |
| 250 | 230 | 215 |
| 300 | 280 | 265 |
| 400 | 380 | 365 |

Adjustment of equipment (optional) with slides

Cat.No 367 45
For 400 mm depth cabinets



MARINA
CABINETS AND ENCLOSURES



And all your
equipment
is fixed
directly...



> Equipment fixed directly at the back of cabinets

> 8 sizes of cabinets and 3 sizes of enclosures from 300 x 200 x 150 mm to 1 800 x 800 x 400 mm

Marina cabinets
polyester - IP 66 - IK 10

NEW



362 56



362 76



Technical characteristics (p. 277)

IP 66 according to IEC EN 60529
LCIE in process
IK 10 according to IEC EN 62262
UL / CSA agreements in process - Class II⁽¹⁾
Fiber glass reinforced polyester
Self-extinguishing 960°C acc. to IEC EN 60695-2-11
Adapted to corrosive environment
Reversible door opening 180°, (except Cat.No 362 50)
Stainless steel hinge pins (except Cat.No 362 50)
2 double bar lock (1 for Cat.No 362 50)
Key-locking possibility with handle Cat.No 368 05 + key barrel (p. 284)
Direct fixing of equipment at bottom of cabinet (screws supplied)
Possible to fit a partial plate from 500 x 400 x 200 mm and/or rails on intermediate studs (except for Cat.No 362 50)
Optional depth adjustment from height 400 x width 300 mm with Cat.No 362 42

| Pack | Cat.Nos | RAL 7035 cabinets | |
|------|---------|--|---|
| | | External dimensions (mm) Height x Width x Depth | Corresponding metal cabinets (mm) Height x Width x Depth |
| 1 | 362 50 | 300 x 220 x 160 | 300 x 200 x 160 |
| 1 | 362 51 | 400 x 300 x 206 | 400 x 300 x 200 |
| 1 | 362 52 | 500 x 400 x 206 | 500 x 400 x 200 |
| 1 | 362 55 | 610 x 400 x 257 | 600 x 400 x 250 |
| 1 | 362 56 | 720 x 510 x 250 | 700 x 500 x 250 |
| 1 | 362 61 | 820 x 610 x 300 | 800 x 600 x 300 |
| 1 | 362 63 | 1020 x 810 x 300 | 1000 x 800 x 300 |
| 1 | 362 64 | 1220 x 810 x 300 | 1200 x 800 x 300 |

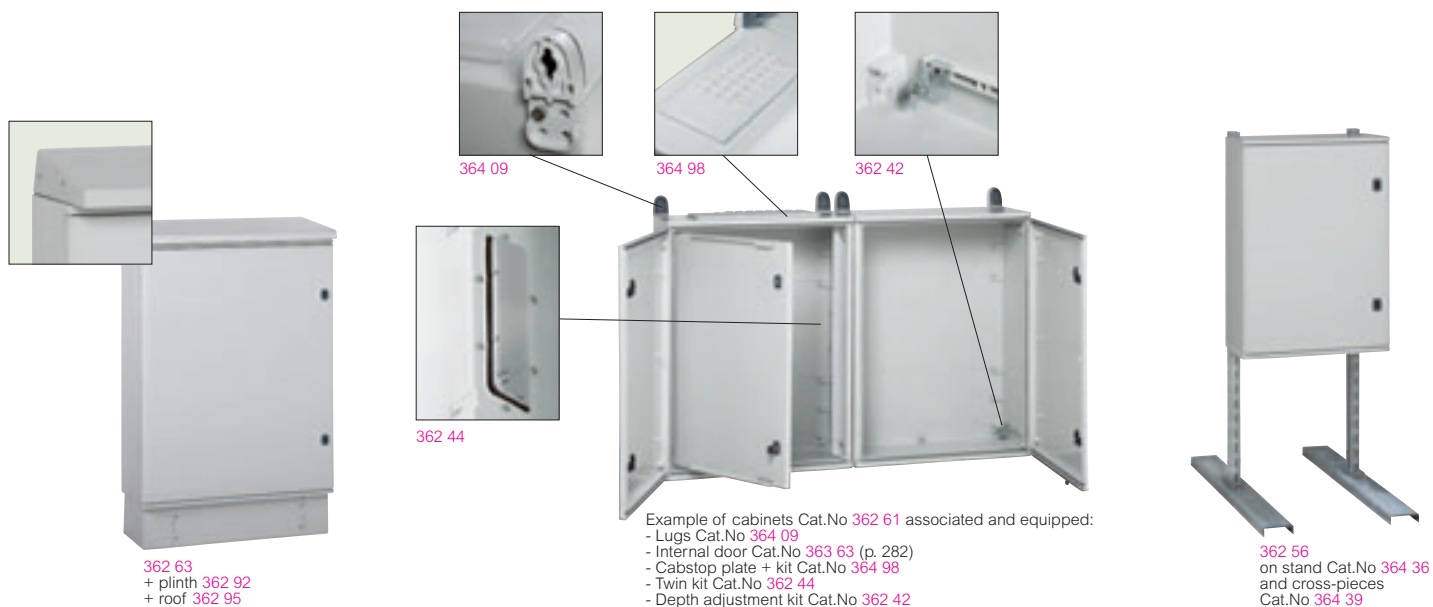
| Pack | Cat.Nos | RAL 7035 cabinets with glass door | |
|------|---------|--|--|
| | | External dimensions (mm) Height x Width x Depth | Window dimensions (mm) Height x Width |
| 1 | 362 71 | 400 x 300 x 206 | 235 x 145 |
| 1 | 362 72 | 500 x 400 x 206 | 335 x 245 |
| 1 | 362 75 | 610 x 400 x 257 | 463 x 245 |
| 1 | 362 76 | 720 x 510 x 250 | 570 x 272 |
| 1 | 362 81 | 820 x 610 x 300 | 672 x 372 |
| 1 | 362 83 | 1020 x 810 x 300 | 770 x 495 |
| 1 | 362 84 | 1220 x 810 x 300 | 970 x 495 |

| Pack | Cat.Nos | RAL 7035 non-grip cabinets | |
|------|---------|--|--|
| | | External dimensions (mm) Height x Width x Depth | |
| 1 | 362 33 | 610 x 400 x 257 | |
| 1 | 362 34 | 720 x 510 x 250 | |
| 1 | 362 35 | 820 x 610 x 300 | |
| 1 | 362 36 | 1020 x 810 x 300 | |
| 1 | 362 37 | 1220 x 810 x 300 | |

(1) Used to create totally isolated assemblies (Class II) according to EN 60439-1

NEW

Marina cabinets equipment



Example of cabinets Cat.No 362 61 associated and equipped:

- Lugs Cat.No 364 09
- Internal door Cat.No 363 63 (p. 282)
- Cabstop plate + kit Cat.No 364 98
- Twin kit Cat.No 362 44
- Depth adjustment kit Cat.No 362 42

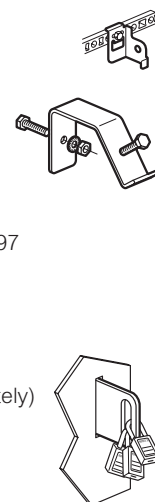
Technical characteristics (p. 277)

| Pack | Cat.Nos | Plinths RAL 7035 |
|------|---------|---|
| | | Height 170 mm Front and rear trap door Possibility to overlap 2 plinths For cabinets |
| 1 | 362 91 | Width x Depth (mm) 600 x 300 |
| 1 | 362 92 | 800 x 300 |

| Pack | Cat.Nos | Roof RAL 7035 |
|------|---------|---------------------------------|
| | | IK 10 For cabinets |
| 1 | 362 93 | Width x Depth (mm) 500 x 250 |
| 1 | 362 94 | 600 x 300 |
| 1 | 362 95 | 800 x 300 |

| Pack | Cat.Nos | Fixing accessories |
|------|---------|--|
| | | IP 66 maintained |
| | | Wall mounting lugs Set of 4, supplied with screws |
| | | For cabinets |
| | | Height (mm) Static load max. (kg) |
| 1 | 364 08 | 300 100 |
| 1 | 364 09 | 400 to 1200 150 |
| | | Rear with threaded rod M8 for cabinets height \geq 400 mm Mounting at back of cabinets |
| 10 | 362 40 | |
| | | On ground Stand comprised of 2 feet for fixing cabinets high up Supplied with cabinet fixing screws Conform with standard EN 50125-3 (railway applications, fixed installations) |
| | | For cabinets |
| | | Height (mm) |
| 1 | 364 36 | 400-800 |
| 1 | 364 37 | 1000-1200 |
| 1 | 364 39 | Anti-tipping cross-pieces Option of fitting castors Cat.No 329 68 (p. 811) |

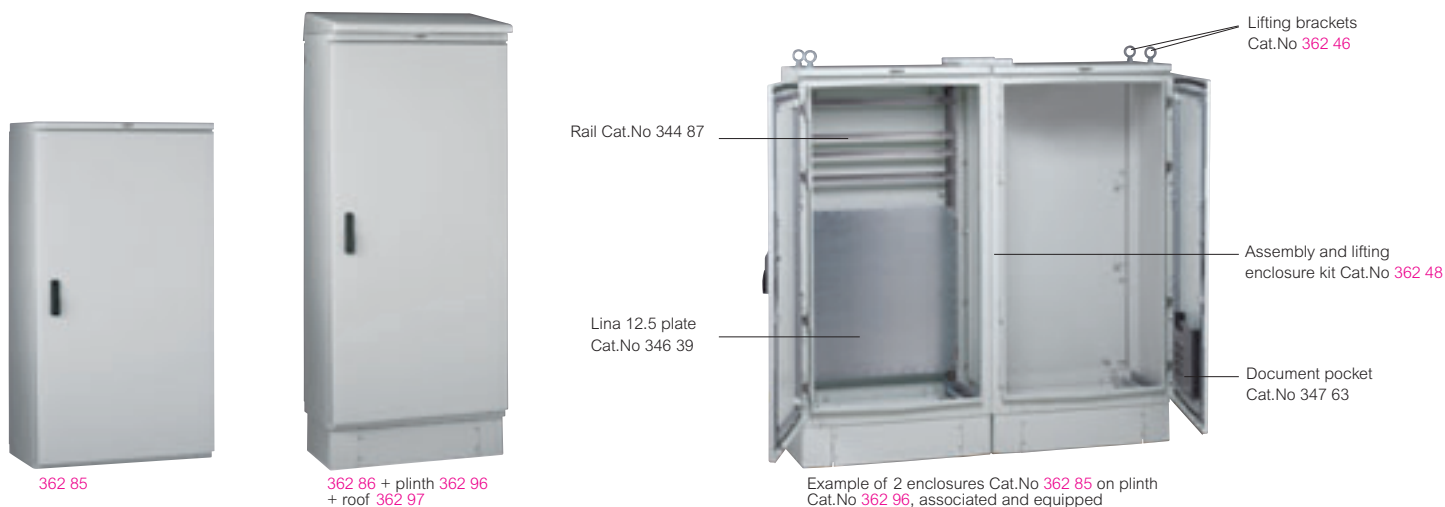
| Pack | Cat.Nos | Accessories |
|------|---------|--|
| 1 | 362 42 | Depth adjustment kit for cabinets depth \geq 200 mm, for plate or uprights (p. 281) |
| 10 | 394 49 | Set of 4 lugs, supplied with screws Set of 2 support for 45° rail slope Supplied with 4 M6 screws, nuts and washers |
| 1 | 364 98 | Mounting kit for Cabstop plate on plane surface For assembly 2 Cabstop plates Cat.Nos 364 94 or 95, and 364 96 or 97 |
| 1 | 362 44 | Twin kit (horizontal or vertical) for cabinets \geq 500 mm height Comprising: - 1 frame for cable crossing and weather proofing - 2 linking pieces for fixing lugs (Cat.No 364 09 to be ordered separately) |
| 1 | 365 13 | Padlock adaptor stainless steel for cabinets height \geq 400 mm additional to latches Takes 3 padlocks \varnothing 6 max. |


Other locking accessories (p. 284)

Stainless steel stands: please consult us

Marina enclosures

polyester - IP 66 - IK 10



Technical characteristics (p. 278, 279)

IP 66 acc. to IEC EN 60529. IK 10 acc. to EN 622 62 (EN 50102)
 UL/CSA agreements in process. Class II ⁽¹⁾. Fiberglass reinforced polyester
 Self-extinguishing 960°C acc. to IEC EN 60695-2-11. Adapted to corrosive environment
 Supplied with fixing kit for plain plates or sectionned uprights. Depth adjustment of equipment
 Equipped with low cable entries plate
 Reversible door with strand-holder
 3 point closing with handle fitted with 1/2 locking latch 2433 A (other key code, please consult us)
 Stainless steel hinges and hinges axis

| Pack | Cat.Nos | Enclosures RAL 7035 | |
|------|---------|--|---|
| | | External dimensions (mm) Height x Width x Depth | Corresponding metal enclosures (mm) Height x Width x Depth |
| 1 | 362 85 | 1 460 x 800 x 463 | 1 400 x 800 x 400 |
| 1 | 362 86 | 1 660 x 800 x 463 | 1 600 x 800 x 400 |
| 1 | 362 87 | 1 860 x 800 x 463 | 1 800 x 800 x 400 |

| Pack | Cat.Nos | Plinths RAL 7035 |
|------|---------|---|
| | | Height 170 mm Front and rear trap door Possibility to overlap 2 plinths |
| 1 | 362 96 | For enclosure width 800 x depth 400 mm |

| Pack | Cat.Nos | Roof RAL 7035 |
|------|---------|--|
| 1 | 362 97 | For enclosure width 800 x depth 400 mm |

| Equipment | | |
|---|--------|--|
| Plain plates | | |
| Galvanized steel. Pre-marked pitch 100 mm Admissible load: 200 kg/m ² | | |
| | | For enclosures Height x Width (mm) Net weight (kg) |
| 1 | 349 59 | 1 400 x 800 27 |
| 1 | 349 50 | 1 600 x 800 30.5 |
| 1 | 344 18 | 1 800 x 800 34 |

| Lina 12.5 plates | | |
|--|--------|--|
| Galvanized steel. For mounting with sectionned uprights (except plain plate Cat.No 346 08) Admissible load: 50 kg/m ² Supplied with fixing screws | | |
| | | Plates Height x Width (mm) Net weight (kg) |
| 1 | 346 39 | 800 x 800 7.6 |
| 1 | 346 45 | 1 000 x 800 9.6 |
| 1 | 346 08 | 1 400 x 800 13.6 |

| Lina 25 perforated plates | | |
|--|--------|--|
| Zinc steel. For mounting with sectionned uprights (except plain plate Cat.No 346 09) Admissible load: 50 kg/m ² Supplied with fixing screws | | |
| | | Plates Height x Width (mm) Net weight (kg) |
| 1 | 346 23 | 800 x 800 3.5 |
| 1 | 346 33 | 1 000 x 800 4.6 |
| 1 | 346 09 | 1 400 x 800 6.8 |

| Pack | Cat.Nos | Screws |
|------|---------|--|
| 500 | 366 44 | Rivet reinforced plastic Ø6 mm for drilling Ø6.5 mm |
| 100 | 347 45 | Screw head height 4.8 mm x 16 self-drilling self-tapping for Ø3.3 mm |
| 200 | 347 50 | Screw cover for isolation of screw head Cat.No 347 45 inside the trunking |

| Sectionned uprights | | |
|--|--------|--|
| For Lina 25 or rails Set of 2 uprights zinc steel | | |
| | | For enclosures Height (mm) Length (mm) |
| 1 | 344 91 | 1 400 1 481 |
| 1 | 344 90 | 1 600 1 681 |
| 1 | 344 92 | 1 800 1 881 |

| Lina 25 rail | | |
|--|--------|--|
| Zinc steel For enclosures width 800 mm Rail length: 690 mm | | |
| 10 | 344 87 | |
| 10 | 344 82 | |

| Accessories | | |
|-------------|--------|---|
| 1 | 362 46 | Lifting brackets M14 Set of 4 brackets for max. load 500 kg/m ³ |
| 1 | 362 48 | Supplied with blanking plates Assembly and lifting enclosures kit: - 2 support brackets - screws - weatherproof seal For 500 kg/m ³ lifting, order separately one set of 4 brackets Cat.No 362 46 |

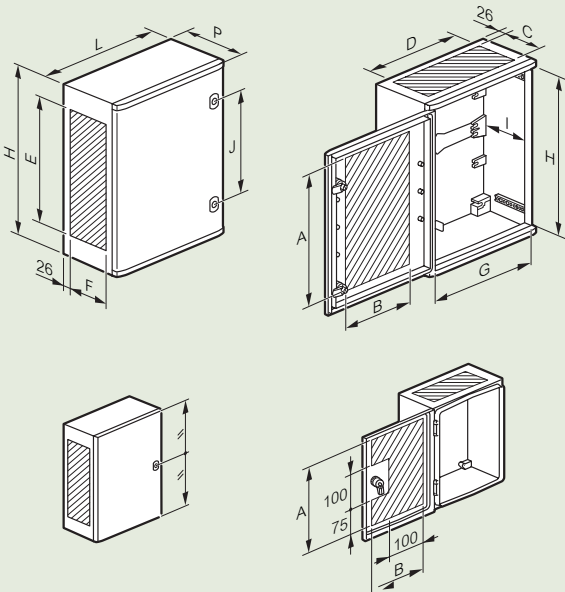
| Document pocket | | |
|-----------------|--------|--|
| 1 | 347 63 | Fixing directly on door Metal 1.5 mm thick 275 x 448.5 x 50 mm |

(1) Used to create totally isolated assemblies (Class II) according to EN 60439-1

Marina cabinets

polyester - IP 66 - IK 10

■ Dimensions, weights and usable areas



| Cat.Nos | Usable area (mm) | | | | | | | | | |
|--------------|------------------|------------------|-----|-----|-------|-----|-----|-------|-----|-----|
| | A ⁽¹⁾ | B ⁽¹⁾ | C | D | E | F | G | H | I | J |
| 362 50 | 250 | 150 | 105 | 195 | 250 | 115 | 194 | 280 | 130 | - |
| 362 51/71 | 300 | 180 | 130 | 250 | 260 | 150 | 260 | 350 | 178 | 200 |
| 362 52/72 | 400 | 280 | 130 | 350 | 360 | 150 | 360 | 450 | 178 | 300 |
| 362 33/55/75 | 500 | 280 | 180 | 350 | 460 | 180 | 360 | 560 | 225 | 400 |
| 362 34/56/76 | 600 | 340 | 170 | 400 | 560 | 170 | 460 | 662 | 211 | 400 |
| 362 35/61/81 | 700 | 440 | 220 | 500 | 660 | 230 | 560 | 762 | 261 | 500 |
| 362 36/63/83 | 900 | 600 | 220 | 700 | 860 | 230 | 760 | 962 | 261 | 580 |
| 362 37/64/84 | 1 100 | 600 | 220 | 700 | 1 060 | 230 | 960 | 1 162 | 261 | 700 |

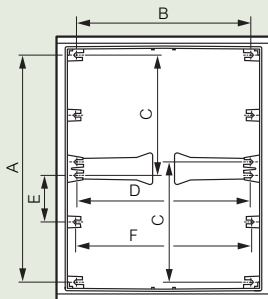
(1) Except window version

| Cat.Nos | Dimensions H x W x D (mm) | Weight (kg) | Weight with window door (kg) |
|--------------|---------------------------|-------------|------------------------------|
| 362 50 | 300 x 220 x 160 | 1.75 | - |
| 362 51/71 | 400 x 300 x 206 | 3.7 | 4 |
| 362 52/72 | 500 x 400 x 206 | 5.1 | 5.6 |
| 362 33/55/75 | 610 x 400 x 257 | 6.4 | 7 |
| 362 34/56/76 | 720 x 510 x 250 | 11.2 | 12.3 |
| 362 35/61/81 | 820 x 610 x 300 | 15.2 | 16.7 |
| 362 36/63/83 | 1 020 x 810 x 300 | 21.8 | 23.9 |
| 362 37/64/84 | 1 220 x 810 x 300 | 25 | 27.5 |

■ Equipment fixing

| Cat.Nos | A (mm) | B (mm) | C (mm) | D (mm) | E ⁽¹⁾ (mm) | F (mm) |
|--------------|--------|--------|--------|--------|-----------------------|--------|
| 362 50 | 263 | 163 | - | - | - | - |
| 362 51/71 | 325 | 225 | 125 | 225 | 102.5 | 228.5 |
| 362 52/72 | 425 | 325 | 225 | 325 | 87.5 | 228.5 |
| 362 33/55/75 | 525 | 325 | 325 | 325 | 95 | 328.5 |
| 362 34/56/76 | 625 | 425 | 425 | 425 | 100 | 428.5 |
| 362 35/61/81 | 725 | 525 | 525 | 525 | 100 | 528.5 |
| 362 36/63/83 | 925 | 725 | 725 | 725 | 100 | 728.5 |
| 362 37/64/84 | 1 125 | 725 | 925 | 725 | 100 | 728.5 |

(1) 2 studs on height Cat.No 362 50



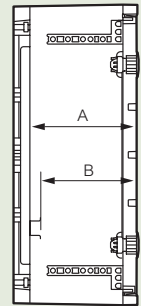
Partial plates mounting

| Cabinet Cat.Nos | Plate dim. (mm) | Plate Cat.Nos | | |
|-----------------|-----------------|---------------|-----------|---------|
| | | Plain | Lina 12.5 | Lina 25 |
| 362 52/72 | 300 x 400 | 360 51 | 360 04 | 360 11 |
| 362 33/55/75 | 400 x 400 | 360 70 | 360 05 | 360 92 |
| 362 34/56/76 | 500 x 500 | 360 71 | 360 14 | 360 93 |
| 362 35/61/81 | 600 x 600 | 360 57 | 360 24 | 360 17 |
| 362 36/63/83 | 800 x 800 | 360 60 | 360 34 | 360 20 |
| 362 37/64/84 | 1 000 x 800 | 360 61 | 360 21 | 360 42 |

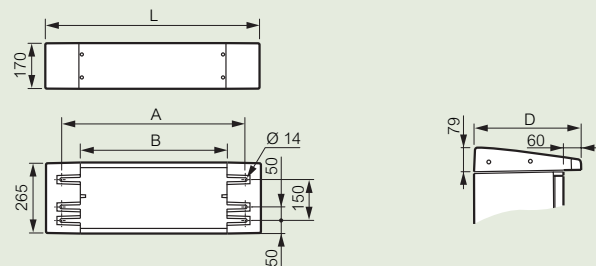


■ Adjustment of equipment (optional)

| Cat.Nos | Plain plate (mm) | | Chassis with rail (mm) | |
|--------------|------------------|-----------------------------|------------------------|-----------------------------|
| | A max. | A min. (with Cat.No 362 42) | B max. | B min. (with Cat.No 362 42) |
| 362 50 | 135 | - | - | - |
| 362 51/71 | 170 | 70 | 155 | 55 |
| 362 52/72 | 170 | 70 | 155 | 55 |
| 362 33/55/75 | 220 | 70 | 205 | 55 |
| 362 34/56/76 | 220 | 70 | 205 | 55 |
| 362 35/61/81 | 270 | 70 | 255 | 55 |
| 362 36/63/83 | 270 | 70 | 255 | 55 |
| 362 37/64/84 | 270 | 70 | 255 | 55 |



■ Plinths and roofs



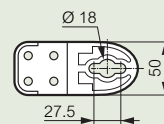
| Plinths Cat.Nos | L (mm) | A (mm) | B (mm) | Weight (kg) |
|-----------------|--------|--------|--------|-------------|
| 362 91 | 590 | 480 | 344 | 4.8 |
| 362 92 | 790 | 680 | 544 | 5.4 |

| Roofs Cat.Nos | Width (mm) | D (mm) | Weight (kg) |
|---------------|------------|--------|-------------|
| 362 93 | 510 | 310 | 1 |
| 362 94 | 612 | 360 | 1.3 |
| 362 95 | 812 | 360 | 1.7 |

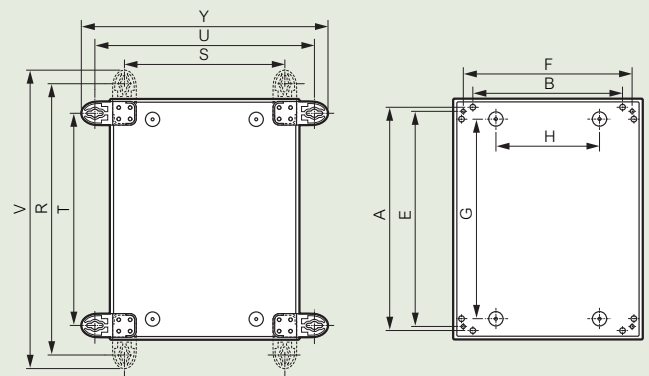
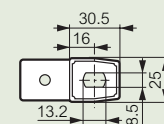
same fixing distances on ground and cabinet side

■ Fixing

Cat.No 364 09



Cat.No 364 08



| Cat.Nos | On stands 364 36 (mm) | | Direct fixing outside mounting plate and stand area 364 37 (mm) | | Direct fixing through rear of cabinet (mm) | | With vertical brackets (mm) | | With horizontal brackets (mm) | | | |
|--------------------------|-----------------------|-----|---|-----|--|-----|-----------------------------|-----|-------------------------------|-------|-----|-----|
| | A | B | E | F | G | H | R | S | V | T | U | Y |
| 362 50 ⁽¹⁾⁽²⁾ | - | - | - | - | 220 | 150 | 330 | 190 | 359 | 270 | 250 | 279 |
| 362 51/71 | 364 | 218 | 358 | 259 | 325 | 120 | 470 | 241 | 525 | 341 | 370 | 425 |
| 362 52/72 | 464 | 318 | 458 | 359 | 425 | 220 | 570 | 341 | 625 | 441 | 470 | 525 |
| 362 33/55/75 | 574 | 318 | 558 | 358 | 525 | 220 | 680 | 341 | 735 | 551 | 470 | 525 |
| 362 34/56/76 | 683 | 427 | 664 | 468 | 600 | 200 | 789 | 441 | 844 | 641 | 579 | 634 |
| 362 35/61/81 | 781 | 525 | 764 | 568 | 700 | 300 | 887 | 548 | 942 | 758 | 677 | 732 |
| 362 36/63/83 | 981 | 725 | 964 | 768 | 900 | 500 | 1 087 | 748 | 1 142 | 958 | 877 | 932 |
| 362 37/64/84 | 1 181 | 725 | 1 164 | 768 | 1 100 | 500 | 1 287 | 748 | 1 342 | 1 158 | 877 | 932 |

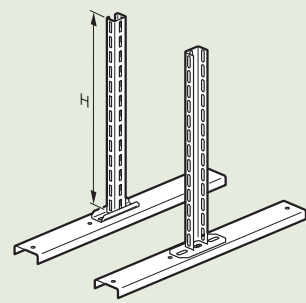
(1) With brackets Cat.No 364 08

(2) S and T dimensions: insert fixing centres

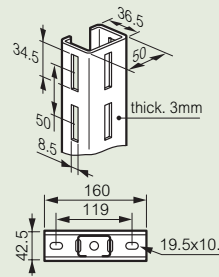
Marina cabinets
polyester - IP 66 - IK 10

Marina enclosures
polyester - IP 66 - IK 10

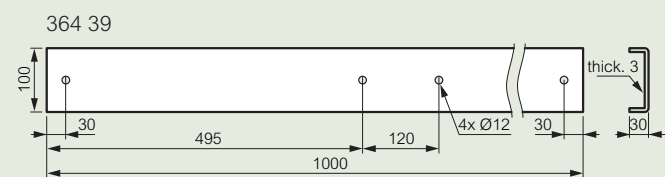
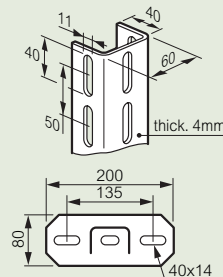
■ **Stands**



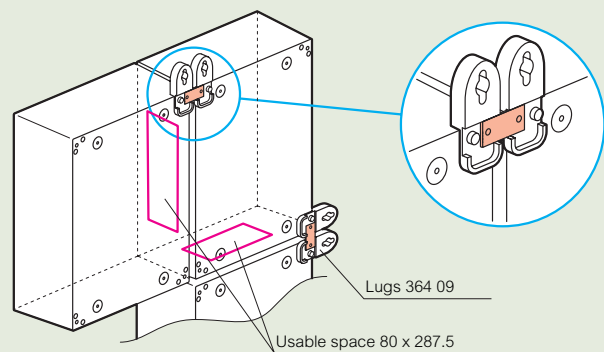
364 36 (H=1203 mm)



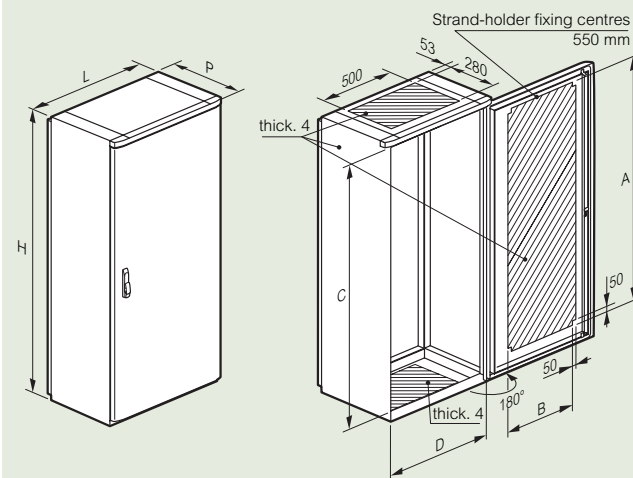
364 37 (H=1603 mm)



■ **Coupling kit for cabinets Cat.No 362 44**



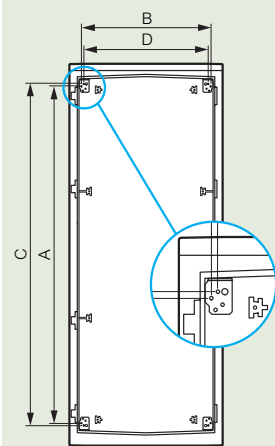
■ **Dimensions weights and usable areas**



| Cat.Nos | Dimensions H x W x D (mm) | Weight (kg) | Usable areas (mm) | | | |
|---------|---------------------------------|----------------|-------------------|-----|------|-----|
| | | | A | B | C | D |
| 362 85 | 1460 x 800 x 463 ⁽¹⁾ | 49 | 1230 | 530 | 1300 | 700 |
| 362 86 | 1660 x 800 x 463 ⁽¹⁾ | 53 | 1430 | 530 | 1500 | 700 |
| 362 87 | 1860 x 800 x 463 ⁽¹⁾ | 57 | 1630 | 530 | 1700 | 700 |

(1) 487 with handle

■ **Equipment fixing**

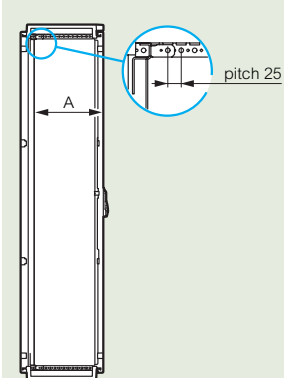


| Cat.Nos | Plain plate | | Sectioned uprights ⁽¹⁾ | |
|---------|-------------|-----|-----------------------------------|-----|
| | A | B | C | D |
| 362 85 | 1225 | 675 | 1250 | 630 |
| 362 86 | 1425 | 675 | 1450 | 630 |
| 362 87 | 1625 | 675 | 1650 | 630 |

(1) for partial plates mounting

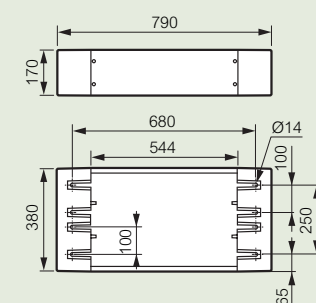
Use profiled uprights for mounting Lina 12.5 partial plates or Lina 25 perforated plates in enclosures 1600 and 1800 mm high

■ **Adjustment of equipment**



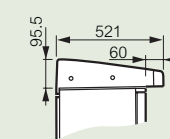
| Plain plate (mm) | | Partial plate (mm) | | Chassis with rail (mm) | |
|------------------|-------|--------------------|-------|------------------------|-------|
| A max | A min | A max | A min | A max | A min |
| 379 | 109 | 357 | 88 | 351 | 82 |

■ **Plinth Cat.No 362 96**



Weight: 7 kg

■ **Roof Cat.No 362 97**

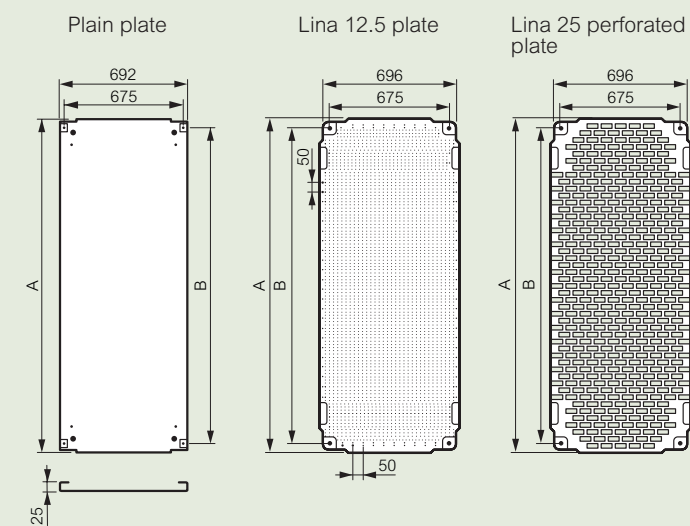


Width: 794 mm
Weight: 2.5 kg

■ **Plates**

Choice of plates

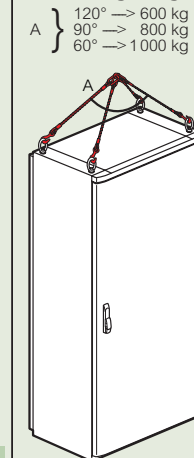
| Plate | Enclosures H. 1400 mm | Enclosures H. 1600 mm | Enclosures H. 1800 mm |
|--------------------|--------------------------|---------------------------------|--------------------------------------|
| Plain | 349 59 | 349 50 | 344 18 |
| Lina 12.5 | 346 08 | 2 x 346 39 + uprights 344 90 | 346 45 + 346 39 + uprights 344 92 |
| Lina 25 perforated | 346 09 | 2 x 346 23 + uprights 344 90 | 346 33 + 346 23 + uprights 344 92 |



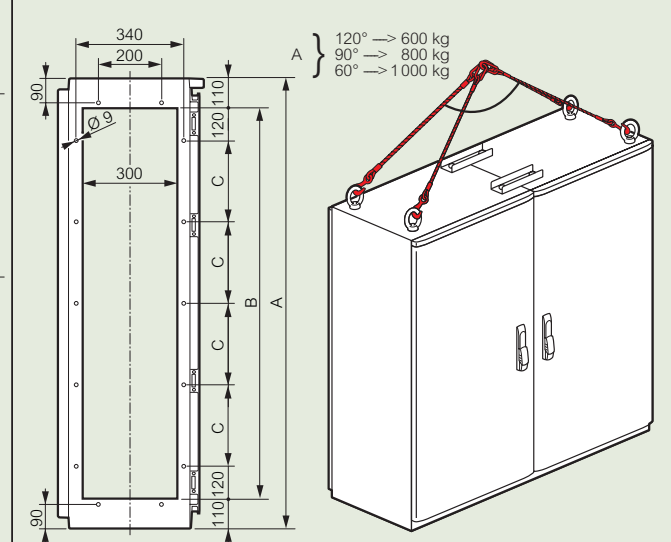
| | Plain | | Lina 12.5 and Lina 25 perforated | |
|------|-------|------|-------------------------------------|------|
| | A | B | A | B |
| 800 | - | - | 721 | 675 |
| 1000 | - | - | 921 | 875 |
| 1400 | 1292 | 1225 | 1296 | 1250 |
| 1600 | 1492 | 1425 | - | - |
| 1800 | 1692 | 1625 | - | - |

■ **Suggested lifting method**

4 x 500 kg slings and 4 brackets



■ **Assembly and lifting kit Cat.No 362 48**



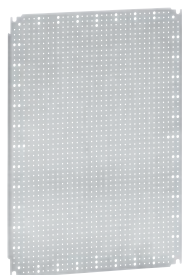
| Enclosures Cat.Nos | Enclosures dimensions (mm) | Dimensions (mm) | | |
|-----------------------|-------------------------------|-----------------|------|-----|
| | | A | B | C |
| 362 85 | 1400 x 800 x 400 | 1460 | 1240 | 250 |
| 362 86 | 1600 x 800 x 400 | 1660 | 1440 | 300 |
| 362 87 | 1800 x 800 x 400 | 1860 | 1640 | 350 |

Atlantic, Atlantic stainless steel, Marina

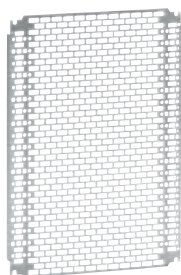
common equipment for cabinets



360 58



360 31



360 18



355 08 + 360 22
vertical mounting



355 06 + 360 22
horizontal mounting

Technical characteristics (p. 283)

Pack Cat.Nos Plain plates

| Pack | Cat.Nos | Galvanized steel | |
|------|-----------------------|-------------------------------------|----------------|
| | | For cabinets Height x Width (mm) | Weight (kg) |
| 1 | 360 49 ⁽¹⁾ | 300 x 220 | 0.9 |
| 1 | 360 69 | 300 x 300 | 1 |
| 1 | 360 52 ⁽³⁾ | 300 x 400 | 1.3 |
| 1 | 360 52 ⁽³⁾ | 400 x 300 | 1.3 |
| 1 | 360 70 | 400 x 400 | 1.7 |
| 1 | 360 56 ⁽³⁾ | 400 x 600 | 3.3 |
| 1 | 360 55 | 500 x 400 | 2.7 |
| 1 | 360 71 | 500 x 500 | 3.5 |
| 1 | 360 56 ⁽³⁾ | 600 x 400 | 3.3 |
| 1 | 360 57 | 600 x 600 | 6.2 |
| 1 | 360 59 ⁽³⁾ | 600 x 800 | 8.4 |
| 1 | 360 54 ⁽³⁾ | 600 x 1000 | 10.6 |
| 1 | 360 58 | 700 x 500 | 6 |
| 1 | 360 59 ⁽³⁾ | 800 x 600 | 8.4 |
| 1 | 360 60 | 800 x 800 | 11.4 |
| 1 | 360 61 ⁽³⁾ | 800 x 1000 | 14.4 |
| 1 | 360 54 ⁽²⁾ | 1000 x 600 | 10.6 |
| 1 | 360 61 ⁽³⁾ | 1000 x 800 | 14.4 |
| 1 | 360 63 | 1000 x 1000 | 20.5 |
| 1 | 360 65 ⁽³⁾ | 1000 x 1200 | 23 |
| 1 | 360 64 | 1200 x 800 | 18.5 |
| 1 | 360 65 ⁽³⁾ | 1200 x 1000 | 23 |
| 1 | 360 66 | 1200 x 1200 | 34.4 |
| 1 | 360 67 ⁽²⁾ | 1400 x 800 | 26.4 |
| 1 | 360 68 | 1400 x 1000 | 32.2 |

Lina 12.5 plates

Galvanized steel.
With drilling for fixing
equipment without marking.
Automatic bracket:
- Ø6.5 mm for plastic rivet Cat.No 366 44 (trunking)
- Ø3.3 mm for equipment with screw Cat.No 347 45

| Pack | Cat.Nos | Galvanized steel | |
|------|-----------------------|-------------------------------------|----------------|
| | | For cabinets Height x Width (mm) | Weight (kg) |
| 1 | 360 00 ⁽²⁾ | 300 x 200 | 0.4 |
| 1 | 360 01 ⁽¹⁾ | 300 x 220 | 0.47 |
| 1 | 360 02 | 300 x 300 | 0.6 |
| 1 | 360 04 ⁽³⁾ | 300 x 400 | 0.8 |
| 1 | 360 05 | 400 x 400 | 1.1 |
| 1 | 360 22 ⁽³⁾ | 400 x 600 | 2.2 |
| 1 | 360 09 | 500 x 400 | 1.5 |
| 1 | 360 14 | 500 x 500 | 1.85 |
| 1 | 360 22 ⁽³⁾ | 600 x 400 | 2.2 |
| 1 | 360 24 | 600 x 600 | 3.7 |
| 1 | 360 33 ⁽³⁾ | 600 x 800 | 5.2 |
| 1 | 360 40 ⁽³⁾ | 600 x 1000 | 6.8 |
| 1 | 360 31 | 700 x 500 | 3.7 |
| 1 | 360 33 ⁽³⁾ | 800 x 600 | 5.2 |
| 1 | 360 34 | 800 x 800 | 7 |
| 1 | 360 42 ⁽³⁾ | 800 x 1000 | 9.2 |
| 1 | 360 40 ⁽³⁾ | 1000 x 600 | 6.8 |
| 1 | 360 43 | 1000 x 1000 | 11.5 |
| 1 | 360 47 ⁽³⁾ | 1000 x 1200 | 13.9 |
| 1 | 360 46 | 1200 x 800 | 11.1 |
| 1 | 360 47 ⁽³⁾ | 1200 x 1000 | 13.9 |
| 1 | 360 48 | 1200 x 1200 | 16.7 |
| 1 | 360 75 ⁽²⁾ | 1400 x 800 | 13 |
| 1 | 360 79 | 1400 x 1000 | 16.2 |

Pack Cat.Nos Lina 25 perforated plates

| Pack | Cat.Nos | Galvanized steel | |
|------|-----------------------|-------------------------------------|----------------|
| | | For cabinets Height x Width (mm) | Weight (kg) |
| 1 | 360 07 ⁽²⁾ | 300 x 200 | 0.4 |
| 1 | 360 99 ⁽¹⁾ | 300 x 220 | 0.4 |
| 1 | 360 91 | 300 x 300 | 0.5 |
| 1 | 360 11 | 300 x 400 | 0.6 |
| 1 | 360 12 | 400 x 300 | 0.6 |
| 1 | 360 92 | 400 x 400 | 0.8 |
| 1 | 360 13 | 400 x 600 | 1.1 |
| 1 | 360 15 | 500 x 400 | 0.9 |
| 1 | 360 93 | 500 x 500 | 1.1 |
| 1 | 360 16 | 600 x 400 | 1.3 |
| 1 | 360 17 | 600 x 600 | 2.1 |
| 1 | 360 06 | 600 x 800 | 3.1 |
| 1 | 360 08 | 600 x 1000 | 3.7 |
| 1 | 360 18 | 700 x 500 | 2 |
| 1 | 360 19 | 800 x 600 | 3.1 |
| 1 | 360 20 | 800 x 800 | 4 |
| 1 | 360 94 | 800 x 1000 | 5 |
| 1 | 360 23 | 1000 x 600 | 3.7 |
| 1 | 360 21 | 1000 x 800 | 4.9 |
| 1 | 360 25 | 1000 x 1000 | 6.8 |
| 1 | 360 10 | 1000 x 1200 | 8.5 |
| 1 | 360 87 | 1200 x 800 | 7.1 |
| 1 | 360 88 | 1200 x 1000 | 8.5 |
| 1 | 360 89 | 1200 x 1200 | 10.1 |
| 1 | 360 90 ⁽²⁾ | 1400 x 800 | 7.8 |
| 1 | 360 98 | 1400 x 1000 | 10 |

Clip-nuts for perforated plates

Supplied without screw

| | | |
|-----|--------|---------------|
| 100 | 364 40 | For M4 screws |
| 100 | 364 41 | For M5 screws |
| 100 | 364 42 | For M6 screws |

Accessories

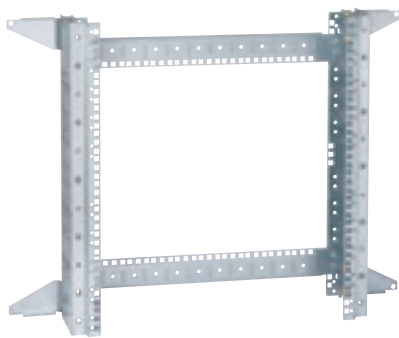
| | | |
|-----|--------|---|
| 500 | 366 44 | Rivet reinforced plastic Ø6 mm for Ø6 mm drilling |
| 100 | 347 45 | Screw head 4.8 x 16 mm self-drilling, self-tapping for Ø3.3 mm |
| 200 | 347 50 | Screw cover for isolation of screw head Cat.No 347 45 inside the trunking |

Other screws (p. 285)

(1) For Marina
(2) For Atlantic, Atlantic stainless steel
(3) For horizontal mounting (horizontal version cabinets or vertical)

Atlantic, Atlantic stainless steel, Marina

common equipment for cabinets (continued)



340 71 supplied not assembled



363 13



367 36



Metal Atlantic cabinet

Technical characteristics (p. 283, 816)

Pack Cat. Nos Lina 25 sectioned uprights

| Pack | Cat. Nos | For cabinets height (mm) | Length (mm) | Section |
|--------------------------|-----------------------|--------------------------|-------------|---------|
| Set of 2 uprights | | | | |
| 5 | 361 50 ⁽¹⁾ | 300 | 237 | |
| 5 | 361 51 | 400 | 337 | |
| 5 | 361 52 | 500 | 437 | |
| 5 | 361 53 | 600 | 537 | |
| 5 | 361 54 | 700 | 637 | |
| 5 | 361 55 | 800 | 737 | |
| 5 | 361 56 | 1000 | 937 | |
| 1 | 361 58 | 1200 | 1137 | |
| 1 | 361 59 ⁽¹⁾ | 1400 | 1337 | |
| Upright to be cut | | | | |
| 10 | 361 92 | Length 3 m | | |

Lina 25 rail

| Pack | Cat. Nos | For cabinets width (mm) | Crosspiece length (mm) | Section |
|--|----------|--------------------------|------------------------|---------|
| Rail | | | | |
| For fixing onto uprights with clip nut Cat.No 364 42 and screw-washer Cat.No 367 75 (p. 285) | | | | |
| 10 | 367 80 | 300 | 243 | |
| 10 | 367 81 | 400 | 343 | |
| 10 | 367 82 | 500 | 443 | |
| 10 | 367 83 | 600 | 543 | |
| 10 | 367 84 | 800 | 743 | |
| 10 | 367 85 | 1000 | 943 | |
| 10 | 367 86 | 1200 | 1143 | |
| Rail to be cut, length 2 m | | | | |
| 10 | 374 02 | Asymmetrical EN 60715 | | |
| 10 | 374 07 | Symmetrical depth 15 mm | | |

| Pack | Cat. Nos | Support lug for protection copper bar |
|------|----------|---------------------------------------|
| 5 | 367 36 | |

Wall-mounting VDI chassis for Atlantic, Atlantic stainless steel and Marina cabinets

| | | |
|------------|--------|---|
| NEW | | For integrating 19" VDI equipment in Atlantic, Atlantic stainless steel and Marina cabinets, width 600 x 800 mm and depth 250 mm min. |
| | | In 400 mm wide cabinets, the chassis can be used to integrate VDI equipment from the mini XL VDI cabinet |
| | | Can be fixed directly to the wall to create a wall-mounting chassis (without cabinet) |
| | | Self-locking cable ties and cable ties with tightening indicator (p. 813) can be fitted |
| 1 | 340 70 | 6 U chassis |
| 1 | 340 71 | 12 U chassis |
| 1 | 340 72 | 16 U chassis |

Pack Cat. Nos Copper bars


| Pack | Cat. Nos | Cross-section (mm) | Permis I (A) | Tapped holes Ø mm | Pitch | Length (mm) |
|--|----------|---|--------------|-------------------|-------|-------------|
| Copper bars with tapped holes | | | | | | |
| 10 | 373 88 | 12 x 2 | 110 | M5 | 18 | 990 |
| 10 | 373 89 | 12 x 4 | 160 | M5 | 18 | 990 |
| Connectors for bars with tapped holes | | | | | | |
| 1 or 2 conductor from 1.5 to 10 mm ² (supplied with Ø5 mm screws) | | | | | | |
| Non perforated copper bar | | | | | | |
| 100 | 373 65 | | | | | |
| Connectors for bar Cat.No 373 49 | | | | | | |
| 10 | 373 49 | 12 x 4 | 180 | Length (mm) 991.5 | | |
| 100 | 373 60 | 1.5 to 4 mm ² | | | | |
| 10 | 373 61 | 6 to 16 mm ² | | | | |
| 10 | 373 62 | 10 to 35 mm ² (supplied with M6 screw Ø5 mm) | | | | |

| Pack | Cat. Nos | Door contact |
|------|----------|--|
| 1 | 363 13 | 6 A - 250 V 1 NC contact + 1 NO contact Supplied with fixing lug |

| Pack | Cat. Nos | Hinged glass doors |
|------|----------|---|
| 1 | 363 81 | IP 54 - IK 07. Anodised aluminium frame Altuglass inspection window, 4 mm thick Neoprene seal. 455 key lock (Ronis 911C 1/4 turn) Supplied with drilling template. |

| Pack | Cat. Nos | For devices in front panel |
|---|----------|--|
| Protect the equipment and avoid accidental operations | | |
| 1 | 363 81 | External dim. H x W x D (mm) 297 x 397 x 50 Window dim. H x W (mm) 250 x 350 Usable depth (mm) 45 |
| For PLCs | | |
| For viewing internal equipment | | |
| 1 | 363 83 | External dim. H x W x D (mm) 380 x 430 x 15 Window dim. H x W (mm) 339 x 389 Cut-out dim. (mm) 340 x 390 |

| Pack | Cat. Nos | Self adhesive document holders for plans |
|----------|----------|---|
| RAL 7035 | | |
| 20 | 365 80 | External dim. Width x Height (mm) 340 x 235 internal dim. W x H x D (mm) 310 x 200 x 18 |
| 20 | 365 81 | 260 x 165 230 x 130 x 18 |
| 10 | 097 99 | Flexible plastic - A4 |



Horizontal or vertical fixing kit on post

please consult us

(1) For Atlantic, Atlantic stainless steel

Atlantic, Atlantic stainless steel, Marina

distribution equipment for cabinets



Pack Cat. Nos Chassis with insulating faceplates RAL 7035

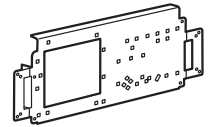
| Pack | Cat. Nos | Description | Diagram |
|------|----------|--|---------|
| 1 | 361 01 | Symmetrical rails 15 mm depth Supplied complete with uprights and faceplates Space between door and faceplate Atlantic: Depth 200: 70 mm Atlantic stainless steel: Depth 250: 80 mm Marina: Depth 300: 90 mm Self extinguishing 750 °C acc. to IEC EN 60695-2-11 For cabinets Height x width x Depth (mm) 400 x 300 x 200 30 modules (3 rows of 10) Supplied with 1 blanking plate | |
| 1 | 361 02 | 500 x 400 x 200 48 modules (3 rows of 16) Supplied with 1 blanking plate | |
| 1 | 361 03 | 600 x 400 x 250 48 modules (3 rows of 16) Supplied with 1 blanking plate | |
| 1 | 361 05 | 700 x 500 x 250 84 modules (4 rows of 21) Supplied with 1 blanking plate | |
| 1 | 361 06 | 800 x 600 x 300 108 modules (4 rows of 27) Supplied with 2 blanking plates Can take in 1 st row a mounting plate Cat.No 360 44 | |
| 1 | 361 09 | 1000 x 800 x 300 190 modules (5 rows of 38) Supplied with 2 blanking plates Can take in 1 st row a mounting plate Cat.No 360 45 | |
| 1 | 361 10 | 1200 x 800 x 300 228 modules (6 rows of 38) Supplied with 2 blanking plates Can take in 1 st row a mounting plate Cat.No 360 45 | |

Pack Cat. Nos Blanking plate

10 361 00 38 modules, length 684 mm

1 360 44 Mounting plates

For 800 x 600 mm cabinets for DPX 125, 160 MCCBS or Vistop 160 A
1 360 45 For 1000 x 800 mm or 1200 x 800 mm cabinets For 1, 2 or 3 DPX 125, 160, 250ER MCCBS or Vistop 160 A



NEW Internal doors RAL 7035

For direct mouting in Atlantic stainless steel and Marina cabinets, with Cat.No 363 69 in Atlantic metal cabinets
IP XXB
Polyester fiber glass reinforced, height 4 mm
Self-extinguishing 960°C acc. to IEC EN 60695-2-11
Grid lines integrated on back
Centre marking on front
Adjustable distance between cabinet door and internal door: 42 to 50 mm for Atlantic cabinets, more than 100 mm for Marina cabinets
Right or left opening, captive hinge pins
Double bar key: 1 key for 400 to 600 mm height, 2 keys for height from 700 mm
Take key barrels and other barrels

| 1 | Cat. Nos | For cabinets Height x Width(mm) | Dim. (mm) Height x Width | Usable dim. (mm) Height x Width |
|---|----------|---|--------------------------|---------------------------------|
| | | | | |
| 1 | 363 60 | 500 x 400 | 441 x 336 | 405 x 250 |
| 1 | 363 61 | 600 x 400 | 541 x 336 | 505 x 250 |
| 1 | 363 62 | 700 x 500 | 642 x 436 | 500 x 340 |
| 1 | 363 63 | 800 x 600 | 742 x 536 | 600 x 440 |
| 1 | 363 64 | 1000 x 800 | 942 x 736 | 800 x 640 |
| 1 | 363 65 | 1200 x 800 | 942 x 736 | 800 x 640 |
| 1 | 363 69 | Accessory for mounting internal doors in Atlantic metal cabinets. | | |

Cable glands with multiple input seals

see p. 294

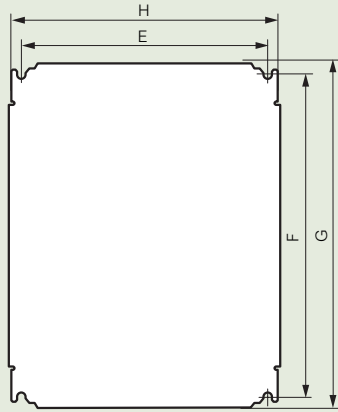
Atlantic, Atlantic stainless steel, Marina

common equipment for cabinets

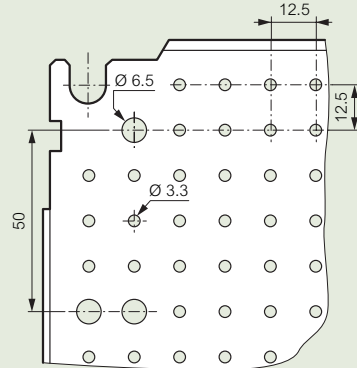
■ Dimensions

Plain plates, Lina 12.5 and Lina 25 perforated plates

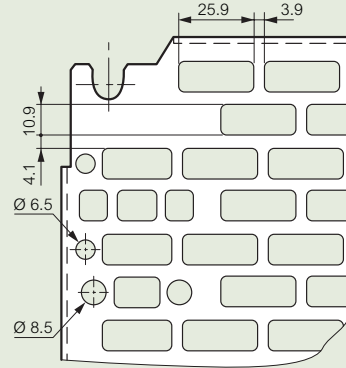
Plain



Lina 12.5 detail

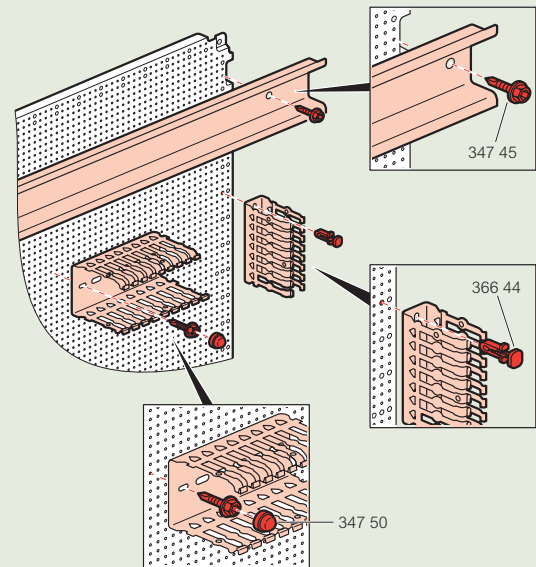


Lina 25 perforation detail



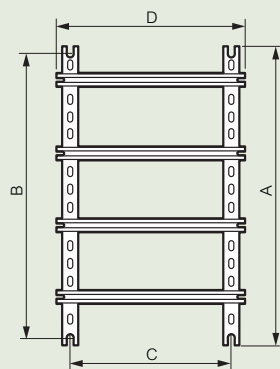
| Cabinets dimensions Height x Width (mm) | Dimensions of plates Plain / Lina 12.5 / 25 plates | | Usable space for equipment (dm ²) | Mounting of plates | |
|---|---|--------|--|--------------------|--------|
| | G (mm) | H (mm) | | F (mm) | E (mm) |
| | | | | | |
| 300 x 200 | 256 | 156 | 4.2 | 225 | 125 |
| 300 x 220 | 275 | 192 | 5.3 | 263 | 163 |
| 300 x 300 | 256 | 256 | 6.2 | 225 | 225 |
| 300 x 400 ⁽¹⁾ | 256 | 356 | 8.2 | 225 | 325 |
| 400 x 300 ⁽¹⁾ | 356 | 256 | 8.2 | 325 | 225 |
| 400 x 400 | 356 | 356 | 11.7 | 325 | 325 |
| 400 x 600 ⁽¹⁾ | 356 | 556 | 18.7 | 325 | 525 |
| 500 x 400 | 456 | 356 | 15.2 | 425 | 325 |
| 500 x 500 | 456 | 456 | 19.2 | 425 | 425 |
| 600 x 400 ⁽¹⁾ | 556 | 356 | 18.7 | 525 | 325 |
| 600 x 600 | 556 | 556 | 29.7 | 525 | 525 |
| 600 x 800 ⁽¹⁾ | 556 | 756 | 40.7 | 525 | 725 |
| 600 x 1000 ⁽¹⁾ | 556 | 956 | 51.7 | 525 | 925 |
| 700 x 500 | 656 | 456 | 28.7 | 625 | 425 |
| 800 x 600 ⁽¹⁾ | 756 | 556 | 40.7 | 725 | 525 |
| 800 x 800 | 756 | 756 | 55.7 | 725 | 725 |
| 800 x 1000 ⁽¹⁾ | 756 | 956 | 71.7 | 725 | 925 |
| 1000 x 600 ⁽¹⁾ | 956 | 556 | 51.7 | 925 | 525 |
| 1000 x 800 ⁽¹⁾ | 956 | 756 | 70.7 | 925 | 725 |
| 1000 x 1000 | 956 | 956 | 89.7 | 925 | 925 |
| 1000 x 1200 ⁽¹⁾ | 956 | 1156 | 108.7 | 925 | 1125 |
| 1200 x 800 | 1156 | 756 | 85.7 | 1125 | 725 |
| 1200 x 1000 ⁽¹⁾ | 1156 | 956 | 108.7 | 1125 | 925 |
| 1200 x 1200 | 1156 | 1156 | 131.7 | 1125 | 1125 |
| 1400 x 800 | 1356 | 756 | 100.7 | 1325 | 725 |
| 1400 x 1000 | 1356 | 956 | 127.7 | 1325 | 925 |

(1) For horizontal or vertical mounting



Example of rail fixed with screws Cat.No 347 45 and Lina 25 cable ducting fixed with rivet Cat.No 366 44 on Lina 12.5 plate

Assembled chassis with rails and Lina 25 uprights



| Dimensions of cabinets Height x Width (mm) | Uprights height | Rail length | Chassis fixing | |
|--|-----------------|-------------|----------------|--------|
| | A (mm) | D (mm) | B (mm) | C (mm) |
| 300 x 300 | 237 | 243 | 225 | 225 |
| 300 x 400 | 237 | 343 | 225 | 325 |
| 400 x 300 | 337 | 243 | 325 | 225 |
| 400 x 400 | 337 | 343 | 325 | 325 |
| 400 x 600 | 337 | 543 | 325 | 525 |
| 500 x 400 | 437 | 343 | 425 | 325 |
| 500 x 500 | 437 | 443 | 425 | 425 |
| 600 x 400 | 537 | 343 | 525 | 325 |
| 600 x 600 | 537 | 543 | 525 | 525 |
| 600 x 800 | 537 | 743 | 525 | 725 |
| 600 x 1000 | 537 | 943 | 525 | 925 |
| 700 x 500 | 637 | 443 | 625 | 425 |
| 800 x 600 | 737 | 543 | 725 | 525 |
| 800 x 800 | 737 | 743 | 725 | 725 |
| 800 x 1000 | 737 | 943 | 725 | 925 |
| 1000 x 600 | 937 | 543 | 925 | 525 |
| 1000 x 800 | 937 | 743 | 925 | 725 |
| 1000 x 1000 | 937 | 943 | 925 | 925 |
| 1000 x 1200 | 937 | 1143 | 925 | 1125 |
| 1200 x 800 | 1137 | 743 | 1125 | 725 |
| 1200 x 1000 | 1137 | 943 | 1125 | 925 |
| 1200 x 1200 | 1137 | 1143 | 1125 | 1125 |
| 1400 x 800 | 1337 | 743 | 1325 | 725 |
| 1400 x 1000 | 1337 | 943 | 1325 | 925 |

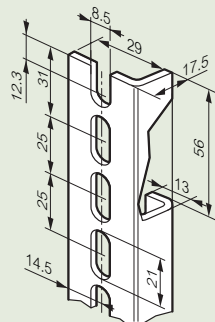
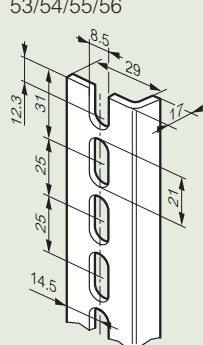
Atlantic, Atlantic stainless steel, Marina

common equipment for cabinets (continued)

Lina 25 sectioned uprights

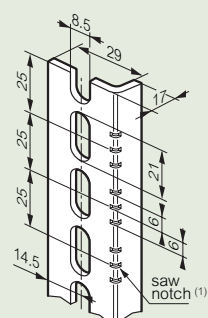
Cat.Nos 361 50/51/52/
53/54/55/56

Cat.Nos 361 58/59



Lina 25 sectioned uprights to be cut

Cat.No 361 92

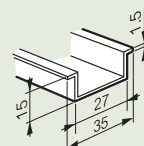
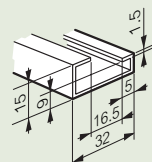


(1) Saw notch for upright length x pitch 25, the 2 others for uprights Cat.Nos 361 50/51/52/53/54/55/56

Rails

Cat.No 374 02

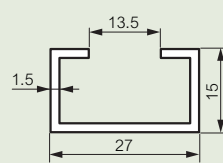
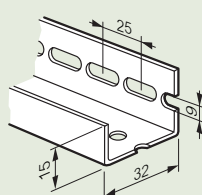
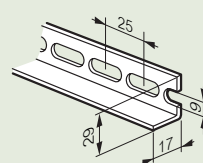
Cat.Nos 367 80/81/82/83/84/85/86 and 374 07



Cat.No 361 92

Cat.No 361 94

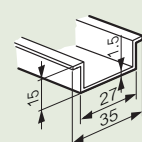
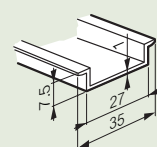
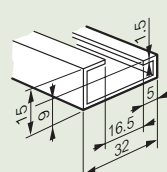
Cat.No 389 71



Cat.No 374 02

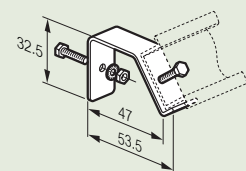
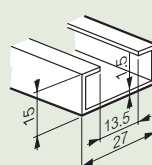
Cat.No 374 04

Cat.No 374 07



Cat.No 389 71

Cat.No 394 49



locking accessories

Lock housings for rebate or cylinder locks

| Pack | Cat.Nos | Lock housings for rebate or cylinder locks | |
|------|---------|--|--|
| 10 | 368 04 | For Atlantic, Atlantic stainless steel and Marina cabinets Lock | |
| 10 | 368 05 | Knob (with blanking plate) | |
| 10 | 368 06 | Knob fitted with key barrel 2433 A | |

Padlocking

| | | | |
|---|--------|--|--|
| 1 | 365 11 | Takes 3 safety padlocks Cat.No 227 97 (p. 133) Shackle Ø6 mm max. For fitting on Atlantic, Atlantic stainless steel and Marina knob or lock RAL 7021 painted steel | |
| 1 | 365 13 | Stainless steel padlocking lug for Marina cabinet height ≥ 400 mm in addition to the lock | |

Locking latches

| | | | |
|----|--------|-----------------------------|--|
| 10 | 365 30 | For Marina cabinets | |
| 10 | 368 43 | For Atlantic 1-door cabinet | |

Metal rebate locks⁽¹⁾

| | | | |
|----|--------|---------------------------|--|
| 10 | 368 17 | Triangle male 6.5 mm | |
| 10 | 368 18 | Triangle male 8 mm | |
| 10 | 368 19 | Triangle male 11 mm (EDF) | |
| 10 | 368 20 | Double bar | |

Key barrels⁽¹⁾

| | | | |
|----|--------|---|--|
| | | Supplied with set of 2 keys For key No | |
| 10 | 368 22 | 405 | |
| 10 | 368 23 | 421 | |
| 10 | 368 24 | 455 | |
| 10 | 368 25 | 1242 E | |
| 10 | 368 26 | 2433 A | |
| 10 | 368 27 | 3113 A | |
| 10 | 365 45 | Set of two 2433 A keys Other key code: please consult us | |

Metal keys for rebate locks

| | | | |
|----|--------|--|--|
| 10 | 365 39 | Triangle 6.5 mm | |
| 10 | 365 40 | Triangle male 8 mm | |
| 10 | 365 41 | Triangle male 11 mm (EDF) | |
| 10 | 365 42 | Double bar | |
| 1 | 368 42 | Multi-size key for rebate locks: square male 8 mm, square male 6 mm, Triangle male 8 mm and double bar | |

(1) Except Marina enclosures: please consult us.